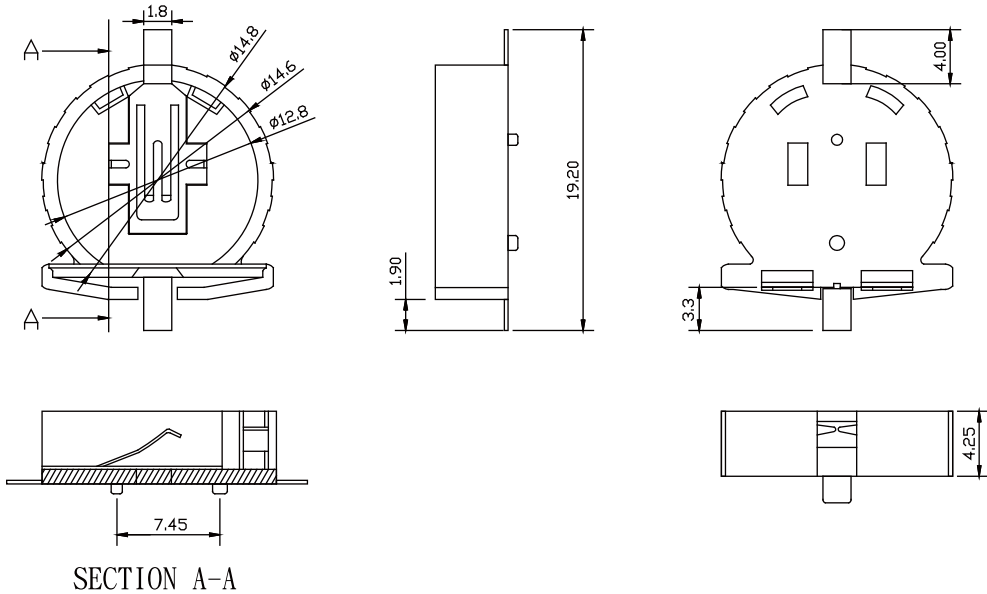




Battery Holder Conn. Coin Type

Material

Insulator Material:PPS,UL 94V-0
Terminal:Copper Alloy
Plated:Gold Plated



Part No.:BTM-1220GB-U