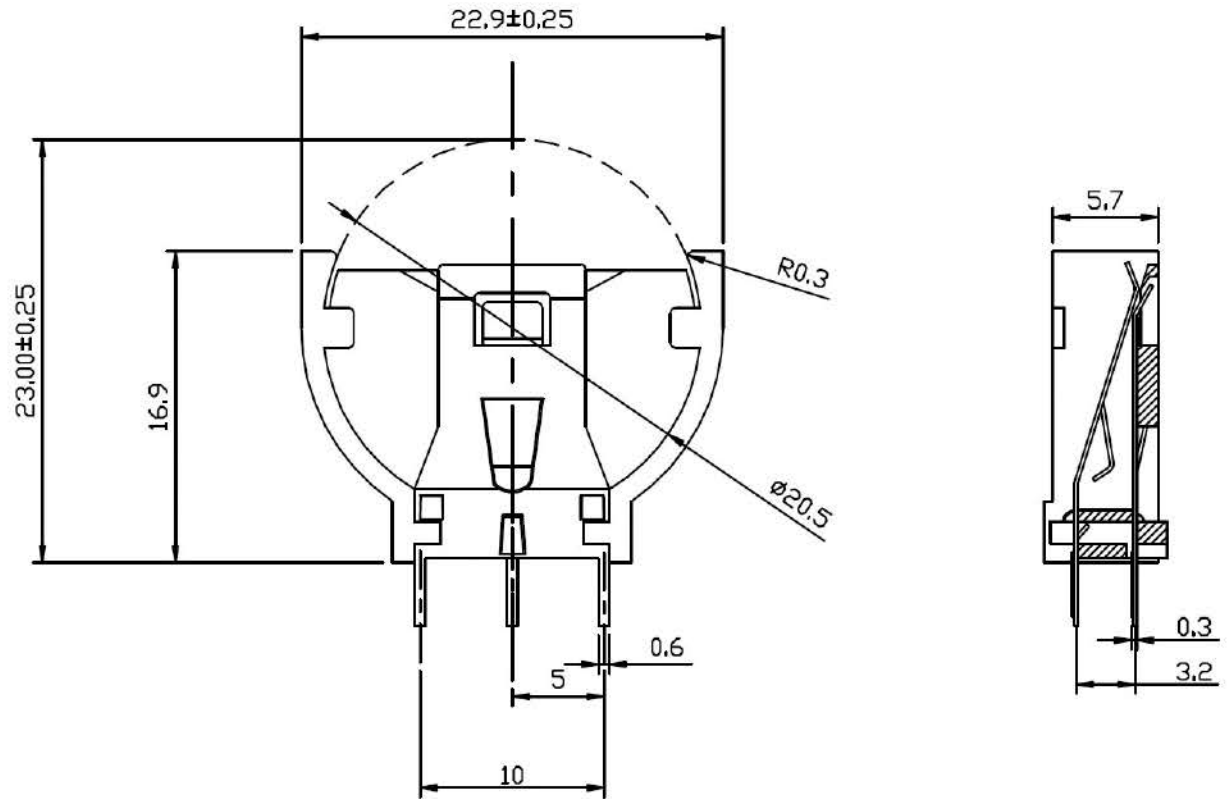


P.C. BOARD LAYOUT

NOTE: P.C.B LAYOUT TOLERANCE: $\pm 0.05\text{mm}$

HOUSING: NYLON 66 (UL94V-0)
 CONTACT: PHOSPHOR BRONZE
 FINISH: TIN PLATED OVER NICKEL
 Applicable: Battery CR 2032



DIMENSIONS ARE IN MILLIMETERS		Ratioplast Electronics		RoHS COMPLIANT	
TOLERANCE UNLESS OTHERWISE SPECIFIED		PART NO.	BTVA-2032TB-U	TITLE: BATTERY HOLDER DIP TYPE FOR CR2032 BATTERY	
LINEAR	0.0±0.25	DATE	August / 18 / 2015		
	0.00±0.15				
ANGLES	± 3	NOT SCALED DRAWING		DRAWING NO.	BYH-2032M