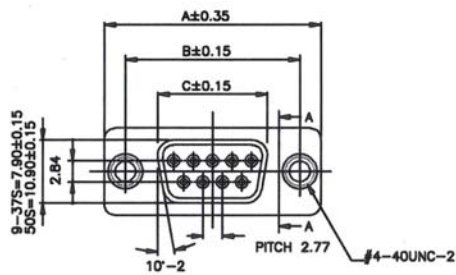


# D-SUB. CONNECTOR WITH STAMPED PINS HIGH PROFILE STRAIGHT PCB MOUNT TYPE

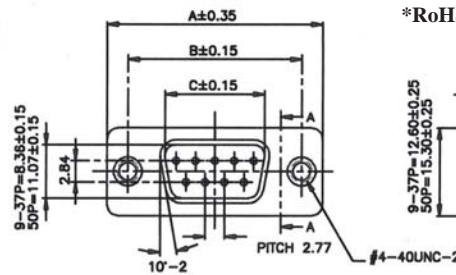
## 5294

No. of Contacts	Dimensions(mm)					T
	A	B	C	D	T	
09	30.80	24.99	16.34	19.20		
15	39.15	33.32	24.70	27.70	3.6	
25	53.00	47.04	38.40	41.10	4.8	
37	69.30	63.50	54.80	57.30	5.4	
50	67.60	61.00	52.20	55.10	7.2	



## 5293

No. of Contacts	Dimensions(mm)					T
	A	B	C	D	T	
09	30.80	24.99	16.34	19.20		
15	39.15	33.32	24.70	27.70	3.6	
25	53.00	47.04	38.40	41.10	4.8	
37	69.30	63.50	54.80	57.30	5.4	
50	67.60	61.00	52.20	55.10	7.2	



## SPECIFICATIONS

**Current Rating:** 3A

**Contact Resistance:** 15mΩ Max.

**Insulation Resistance:** 1000MΩ Min. at 500V

**Dielectric Voltage:** 500V at 1 Minute

**Operating Temperature:** -50°C to +100°C

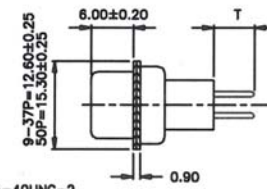
**Insulator:** PBT, UL94V-0 Rated

**Contact:** Brass, Stamped-Pin

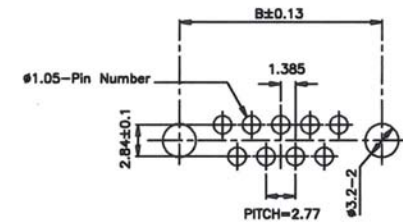
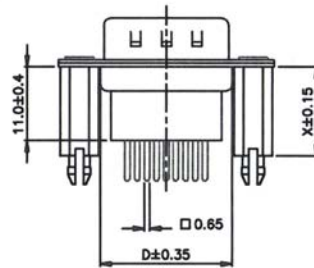
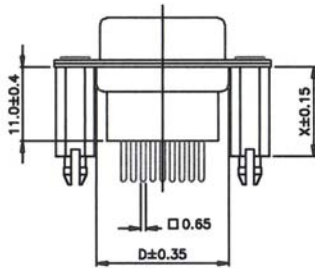
Selective Gold Plated

**Shell:** Steel, Tin Plated

\*RoHS & REACH compliant.



SECTION: A-A



Recommended P.C. Board Layout

## ORDERING INFORMATION:

P/N 5 2 XX - XX / XXXXXX

1      2    3    4      5

### 1. CONNECTOR TYPE:

"93" MALE WITH STAMPED PINS  
"94" FEMALE WITH STAMPED PINS

### 2. NO. OF CONTACTS:

09, 15, 25, 37, 50

### 3. PIN LATCH & CONTACT TYPE:

"N" T=3.6MM FOR FEMALE & MALE  
"Q" T=5.4MM FOR FEMALE & MALE  
"R" T=7.2MM FOR FEMALE & MALE  
"S" T=4.8MM FOR FEMALE & MALE

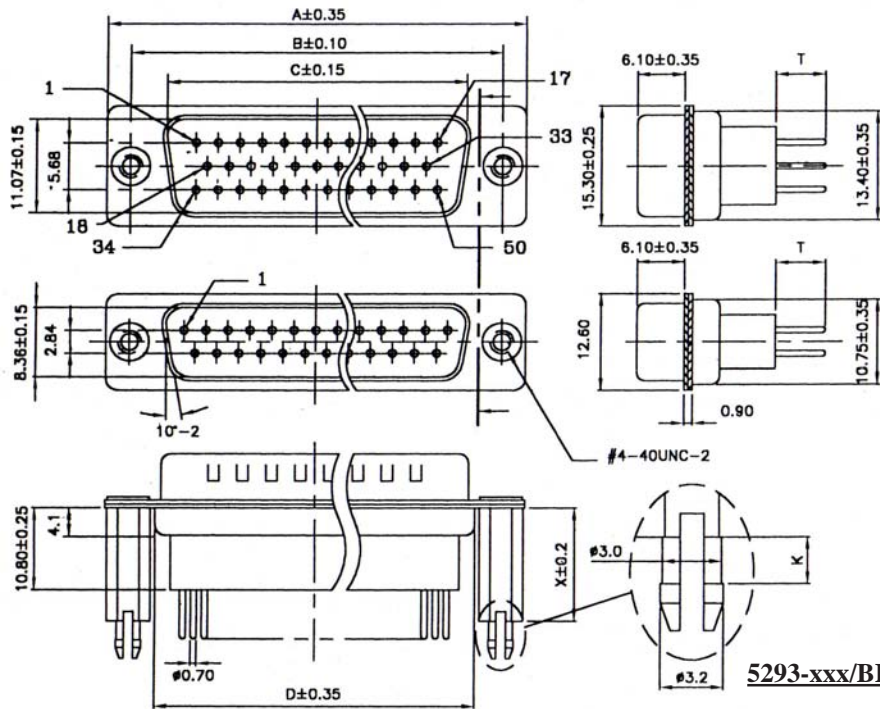
### 4. MOUNTING OPTION:

" " Ø3.05MM THROUGH HOLES  
"BR" BOARD-LOCK  
"BRJ" BOARD-LOCK & SCREW

### 5. LENGTH X:

11.0, 12.0, 12.7, 13.7, 14.5, 15.0

## D-SUB. MALE CONNECTOR WITH MACHINED PINS HIGH PROFILE STRAIGHT PCB MOUNT TYPE



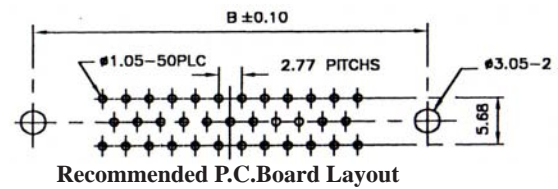
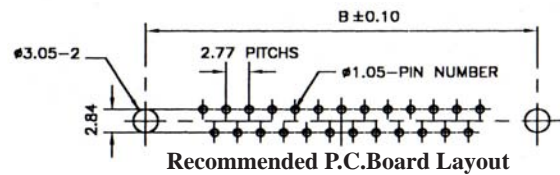
### SPECIFICATIONS

Current Rating: 5A  
 Contact Resistance: 25mΩ Max.  
 Insulation Resistance: 1000MΩ Min. at 500V  
 Dielectric Voltage: 1000V at 1 Minute  
 Operating Temperature: -55°C to +105°C

### MATERIALS

Insulator: PBT, UL94V-0 Rated  
 Contact: Brass  
 Shell: Brass, Steel  
 Contact Plating: Gold Over Nickel Plated  
 Shell Plating: Tin Over Copper Plated  
 \*RoHS & REACH compliant.

Part No.	Dimensions(mm)						
	A	B	C	D	X	T	K
5293-09A/xx	30.80	24.99	16.92	19.20	11.00	3.60	1.60
5293-09B/xx	30.80	24.99	16.92	19.20	12.70	5.40	2.40
5293-09C/xx	30.80	24.99	16.92	19.20	14.50	7.20	3.20
5293-15A/xx	39.15	33.32	25.25	27.62	11.00	3.60	1.60
5293-15B/xx	39.15	33.32	25.25	27.62	12.70	5.40	2.40
5293-15C/xx	39.15	33.32	25.25	27.62	14.50	7.20	3.20
5293-25A/xx	53.00	47.04	38.96	41.18	11.00	3.60	1.60
5293-25B/xx	53.00	47.04	38.96	41.18	12.70	5.40	2.40
5293-25C/xx	53.00	47.04	38.96	41.18	14.50	7.20	3.20
5293-37A/xx	69.30	63.50	55.42	57.34	11.00	3.60	1.60
5293-37B/xx	69.30	63.50	55.42	57.34	12.70	5.40	2.40
5293-37C/xx	69.30	63.50	55.42	57.34	14.50	7.20	3.20
5293-50A/xx	67.00	61.00	52.80	55.16	11.00	3.60	1.60
5293-50B/xx	67.00	61.00	52.80	55.16	12.70	5.40	2.40
5293-50C/xx	67.00	61.00	52.80	55.16	14.50	7.20	3.20



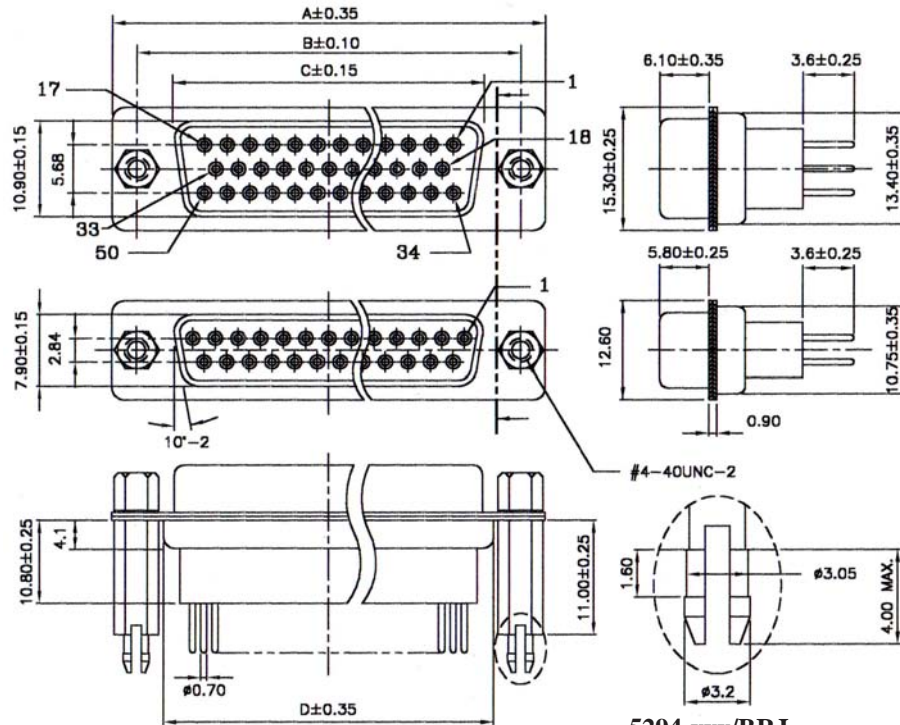
### ORDERING INFORMATION:

P/N 5293 -  $\frac{xx}{1}$  /  $\frac{xx}{2}$  /  $\frac{xx}{3}$  /  $\frac{xx}{4}$

- CONNECTOR TYPE:  
"93" MALE WITH MACHINED PINS
- NO. OF CONTACTS:  
09, 15, 25, 37, 50
- PIN LENGTH & CONTACT TYPE:  
"A" T= 3.6MM MACHINED PINS  
"B" T= 5.4MM MACHINED PINS  
"C" T= 7.2MM MACHINED PINS

- MOUNTING OPTION:  
" " Ø3.05MM THROUGH HOLES  
"BR" BOARD LOCK  
"BRJ" BOARD LOCK & SCREW

# D-SUB. FEMALE CONNECTOR WITH MACHINED PINS HIGH PROFILE STRAIGHT PCB MOUNT TYPE



## SPECIFICATIONS

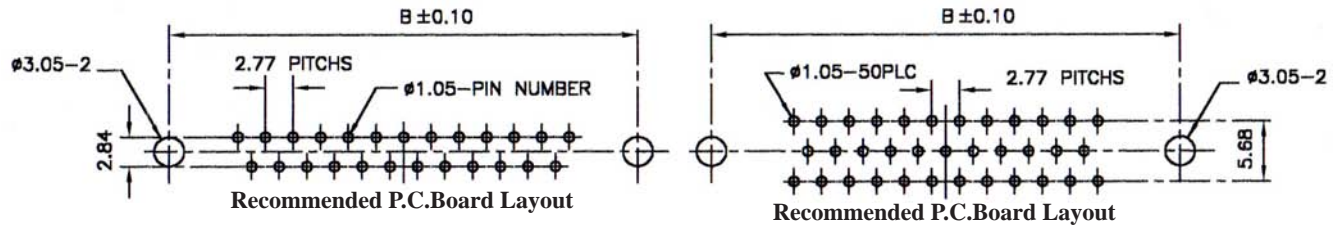
Current Rating: 5A  
 Contact Resistance: 25mΩ Max.  
 Insulation Resistance: 1000MΩ Min. at 500V  
 Dielectric Voltage: 1000V at 1 Minute  
 Operating Temperature: -55°C to +105°C

## MATERIALS

Insulator: PBT, UL94V-0 Rated  
 Contact: Brass  
 Shell: Brass, Steel  
 Contact Plating: Gold Over Nickel Plated  
 Shell Plating: Tin Over Copper Plated  
 \*RoHS & REACH compliant.

No. of Contacts	Dimensions(mm)			
	A	B	C	D
09	30.80	24.99	16.30	19.20
15	39.15	33.32	24.65	27.62
25	53.00	47.04	38.40	41.18
37	69.30	63.50	54.80	57.34
50	67.00	61.00	52.20	55.16

5294-xxx/BRJ



## ORDERING INFORMATION:

P/N 5 2 9 4 -  $\frac{xx}{1}$  /  $\frac{xx}{2}$  /  $\frac{xx}{3}$  /  $\frac{xx}{4}$

- CONNECTOR TYPE:  
"94" FEMALE WITH MACHINED PINS
- NO. OF CONTACTS:  
09, 15, 25, 37, 50
- PIN LENGTH & CONTACT TYPE:  
"A" T= 3.6MM MACHINED PINS  
"B" T= 5.4MM MACHINED PINS  
"C" T= 7.2MM MACHINED PINS

- MOUNTING OPTION:  
" " Ø3.05MM THROUGH HOLES  
"BR" BOARD LOCK  
"BRJ" BOARD LOCK & SCREW