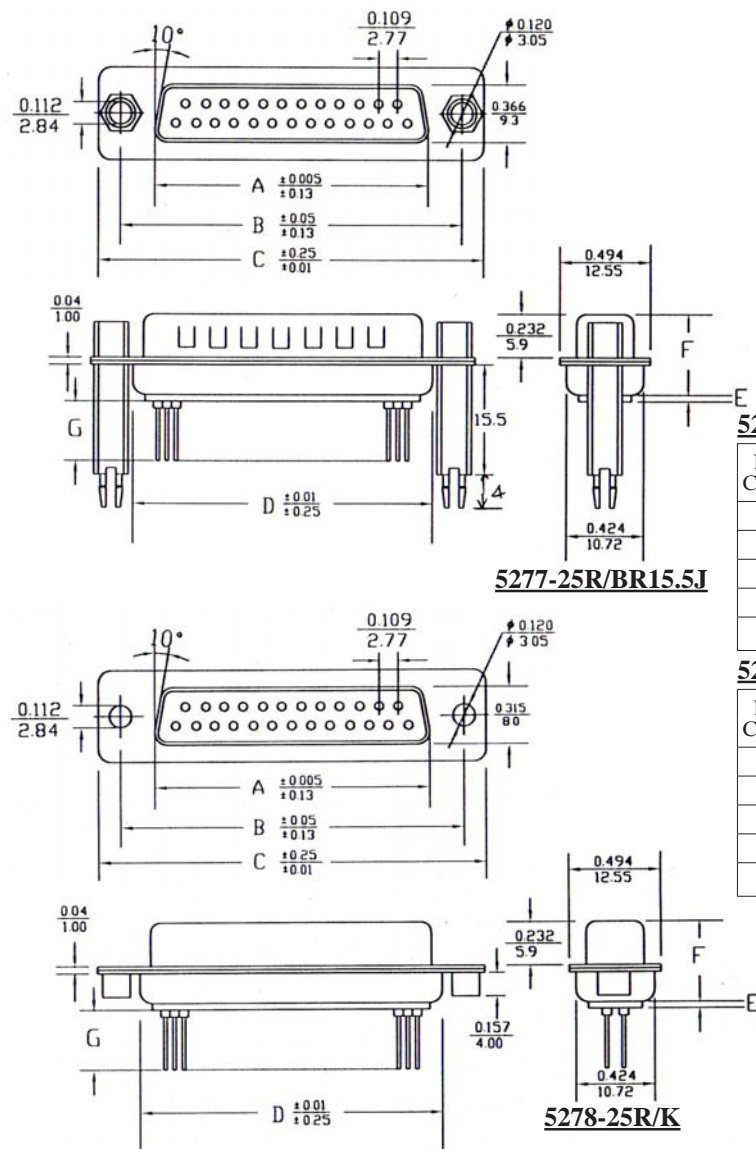


D-SUB. CONNECTOR STRAIGHT PCB TYPE WITH LONG MACHINED TAILS



SPECIFICATIONS

Current Rating: 5A
Contact Resistance: 25mΩ Max.
Insulation Resistance: 1000MΩ Min. at 500V
Dielectric Voltage: 1000V at 1 Minute
Operating Temperature: -55°C to +105°C

MATERIALS

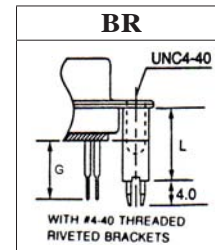
Insulator: PBT, UL94V-0 Rated
Contact: Brass
Shell: Brass, Steel
Contact Plating: Gold Over Nickel Plated
Shell Plating: Tin Over Copper Plated
 *RoHS & REACH compliant.

5277

No. of Contacts	Dimensions(mm)						
	A	B	C	D	E	F	G
09	16.92	24.99	30.81	19.28	1.20	11.00	13.00
15	25.25	33.32	39.14	27.51	1.20	11.00	13.00
25	38.96	47.04	53.04	41.30	1.20	11.00	13.00
37	55.42	63.50	69.32	57.71	1.20	11.00	13.00
50	52.86	61.11	66.92	55.30	1.20	11.00	13.00

5278

No. of Contacts	Dimensions(mm)						
	A	B	C	D	E	F	G
09	16.33	24.99	30.81	19.28	1.20	11.00	13.00
15	24.66	33.32	39.14	27.51	1.20	11.00	13.00
25	38.38	47.04	53.04	41.30	1.20	11.00	13.00
37	54.84	63.50	69.32	57.71	1.20	11.00	13.00
50	52.34	61.11	66.92	55.30	1.20	11.00	13.00



ORDERING INFORMATION:

P/N 52 $\frac{xx}{1}$ - $\frac{xxx}{2}$ / $\frac{xxx}{3}$ $\frac{xxx}{4}$

- CONNECTOR TYPE:
"77" MALE
"78" FEMALE
- NO. OF CONTACTS:
09, 15, 25, 37, 50
- PIN LENGTH:
"Q" G=10.0MM
"R" G=13.0MM

- MOUNTING OPTION:
K, J, KJ, BRxx, BRxxJ
"BR14.5" L= 14.50MM
"BR15.5" L= 15.50MM
OTHER LENGTHES:
8.4, 11, 9.5, 12.5, 15.5, 10.5MM...ETC.