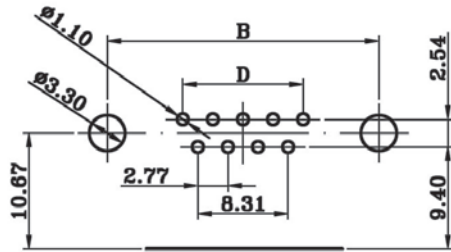
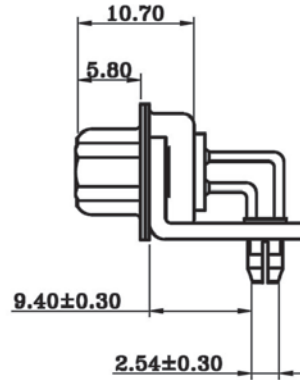
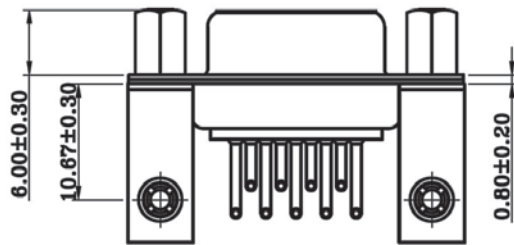
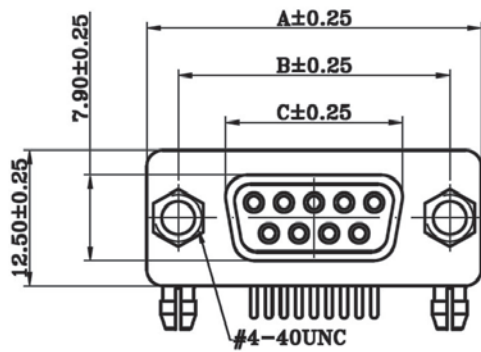


D-SUB. 9, 15, 25, 37 PIN RIGHT ANGLE MALE CONNECTOR WITH MACHINED CONTACTS & METAL BRACKETS (9.4MM)



Recommended P.C.Board Layout



SPECIFICATIONS

Current Rating: 5 Amp
Contact Resistance: 10MΩ Max.
Dielectric Withstanding Voltage: 1000V AC Min.
Insulation Resistance: 5GΩ Min.
Operating Temperature: -55°C to +125°C

MATERIALS

Shell: Steel, Front Shell Tin Finished
 Back Shell Tin Finished
Insulator: PBT Thermoplastic, 30% Glass Filled, UL94V-0
Single Contact: Copper Alloy, Gold Flash
 *RoHS & REACH compliant.

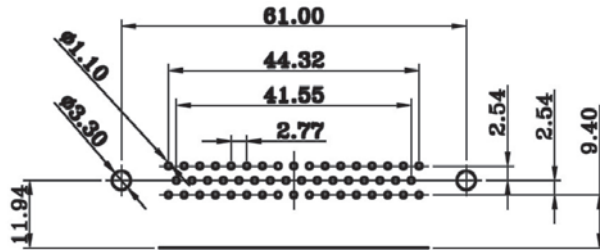
No. of Contacts	Dimensions(mm)			
	A	B	C	D
09	30.80	25.00	16.90	11.08
15	39.20	33.30	25.25	19.39
25	53.05	47.05	38.95	33.24
37	69.40	63.50	55.40	49.86

ORDERING INFORMATION:

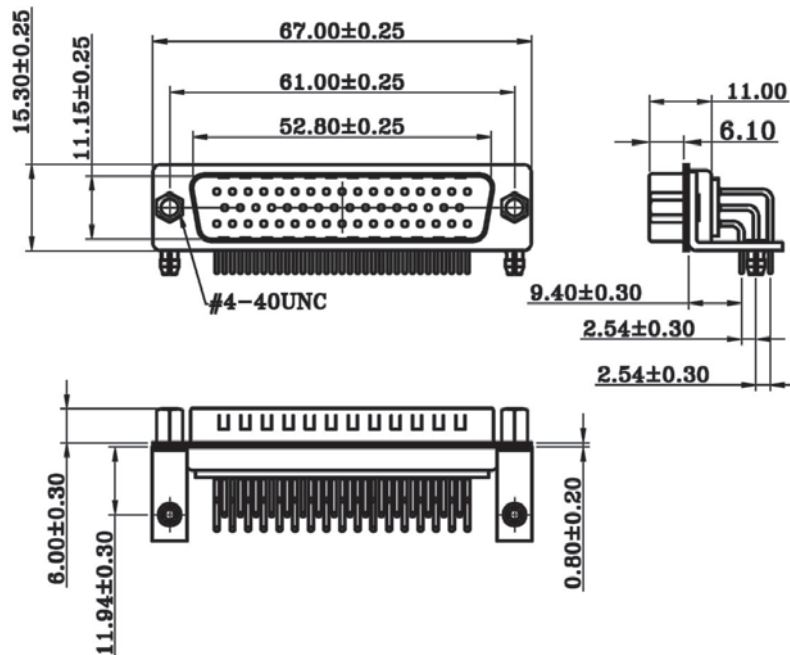
P/N 5 7 4 9 - $\frac{x}{1}$ $\frac{x}{2}$ $\frac{T}{3}$ $\frac{x}{4}$ / $\frac{RV}{5}$

- CONNECTOR TYPE & FOOTPRINT:
"49" MALE WITH FOOTPRINT=9.4MM
- NO. OF CONTACTS:
09, 15, 25, 37
- SHELL FINISH:
"T" FULL TIN PLATED
- INSULATOR COLOR:
"B" BLACK
"W" WHITE
- MOUNTING TYPE:
"RV" METAL BRACKET #4-40 UNC WITH NUTS

D-SUB. 50 PIN RIGHT ANGLE MALE CONNECTOR WITH MACHINED CONTACTS & METAL BRACKETS (9.4MM)



Recommended P.C.Board Layout



SPECIFICATIONS

Current Rating: 5 Amp

Contact Resistance: 10MΩ Max.

Dielectric Withstanding Voltage: 1000V AC Min.

Insulation Resistance: 5GΩ Min.

Operating Temperature: -55°C to +125°C

MATERIALS

Shell: Steel, Front Shell Tin Finished
Back Shell Tin Finished

Insulator: PBT Thermoplastic, 30% Glass Filled, UL94V-0

Single Contact: Copper Alloy, Gold Flash
*RoHS & REACH compliant.

ORDERING INFORMATION:

P/N 5749 - 50 T_x / R V
1 2 3 4 5

1. CONNECTOR TYPE & FOOTPRINT:
"49" MALE WITH FOOTPRINT=9.4MM
2. NO. OF CONTACTS:
50
3. SHELL FINISH:
"T" FULL TIN PLATED
4. INSULATOR COLOR:
"B" BLACK
"W" WHITE
5. MOUNTING TYPE:
"RV" METAL BRACKET #4-40 UNC
WITH NUTS