

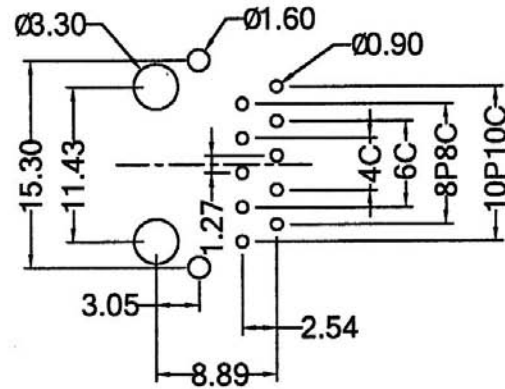
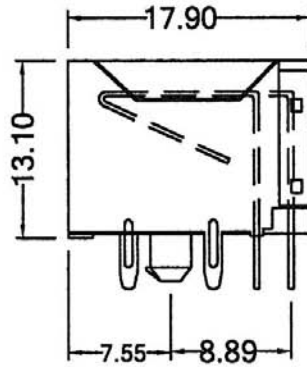
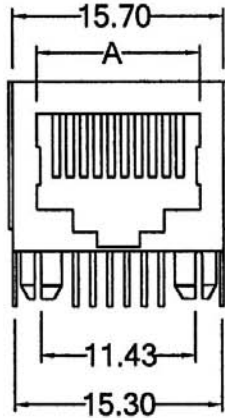
## SIDE ENTRY MODULAR PCB JACK 6P+8P+10P PROFILE=13.10MM (FULLY SHIELDED)

### SPECIFICATIONS

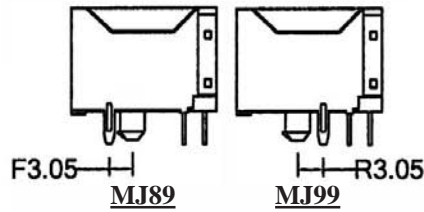
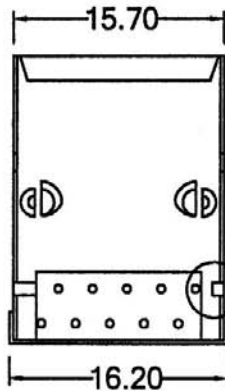
**Insulation Resistance:** 500MΩ Min.  
**Contact Resistance:** 20mΩ Max.  
**Rating Current:** 1.5A Max.  
**Rating Voltage:** 120V AC.  
**Dielectric Voltage:** 1000 Vrms 60 Sec. Min.  
**Temperature Range:** -40°C / +85°C  
**Durability:** 500 Mating cycles Min.

### MATERIALS

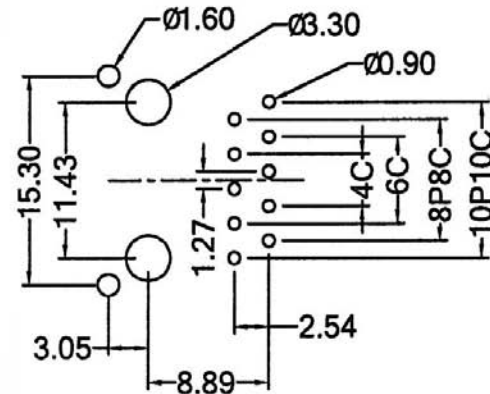
**Housing:** PBT Glass Filled (UL 94V-0)  
**Soldering Temperature:** 235°C  
**Color:** Black  
**Spring Wire:** Phosphor Bronze  
                   Gold plating Over Nickel  
**Shield:** Brass plating Nickel Alloy  
**All materials must be RoHS compliant.**



Recommended P.C. Board Layout (TOP VIEW) **MJ99**



No. of Positions	No. of Contacts	A
6P	2C/4C/6C	9.90
8P	4C/6C/8C	11.95
10P	10C	11.95



Recommended P.C. Board Layout (TOP VIEW) **MJ89**

### ORDERING INFORMATION:

P/N MJ  $\frac{1}{x}x - \frac{x}{2}x \frac{x}{3}B$

- TYPE OF JACK:
  - "89" F3.05
  - "99" R3.05
- NO. OF POSITIONS & CONTACTS:
  - "66" 6P6C
  - "64" 6P4C
  - "88" 8P8C
  - "00" 10P10C
- CONTACT FINISH:
  - "A" 6 MICROINCH GOLD
  - "B" 15 MICROINCH GOLD
  - "C" 30 MICROINCH GOLD
  - "D" 50 MICROINCH GOLD