

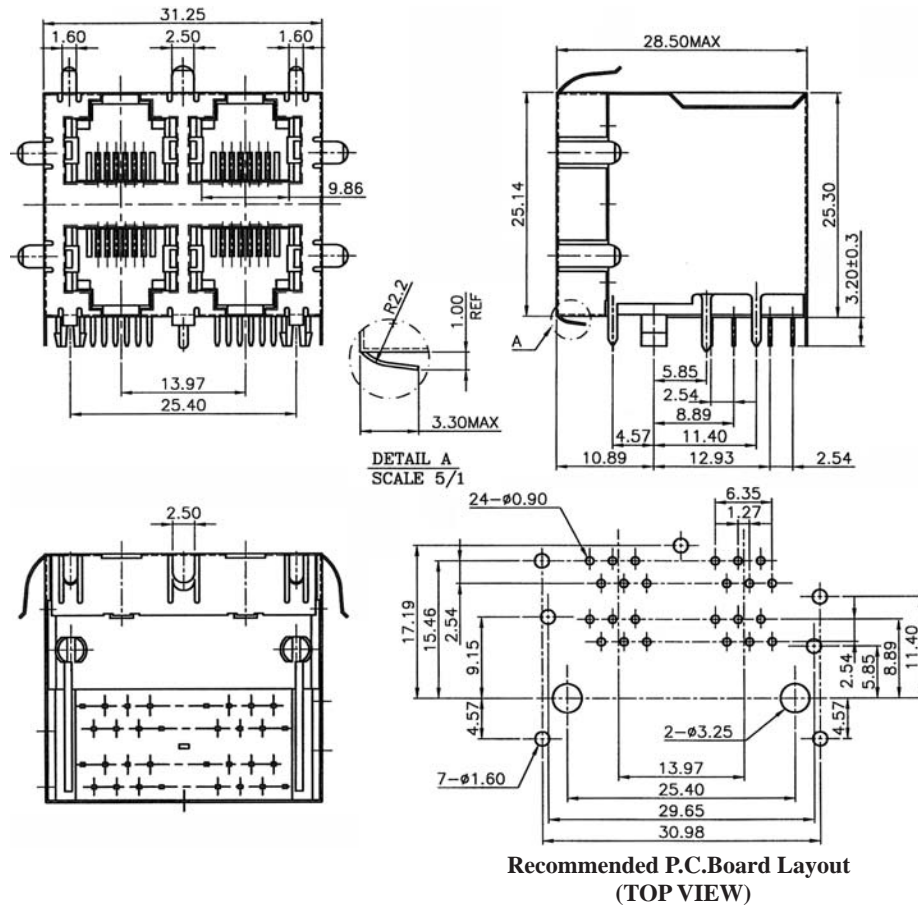
SIDE ENTRY 4-PORT DOUBLE LEVEL MODULAR PCB JACK 6P PROFILE=25.30MM (FULLY SHIELDED)

SPECIFICATIONS

Insulation Resistance: 500MΩ Min.
Contact Resistance: 20mΩ Max.
Rating Current: 1.5A Max.
Rating Voltage: 120V AC.
Dielectric Voltage: 1000 Vrms 60 Sec. Min.
Temperature Range: -40°C / +85°C
Durability: 500 Mating cycles Min.

MATERIALS

Housing: PBT Glass Filled (UL 94V-0)
Soldering Temperature: 235°C
Color: Black
Spring Wire: Phosphor Bronze
 Gold plating Over Nickel
Shield: Brass plating Nickel Alloy
All materials must be RoHS compliant.



ORDERING INFORMATION:

P/N MJ 28 - $\frac{x}{1} \frac{x}{2} \frac{x}{3} B 04$

- NO. OF POSITIONS & CONTACTS:
 "66" 6P6C
 "64" 6P4C
- CONTACT FINISH:
 "A" 6 MICROINCH GOLD
 "B" 15 MICROINCH GOLD
 "C" 30 MICROINCH GOLD
 "D" 50 MICROINCH GOLD
- NO. OF PORTS:
 04

NOTE: WITH TOP & SIDE PANEL GROUNDS

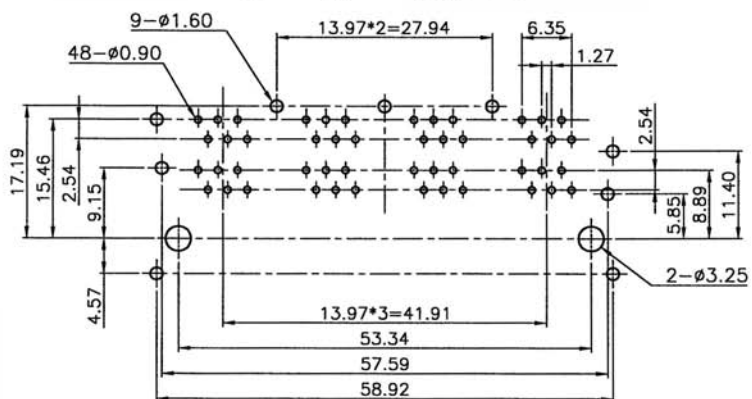
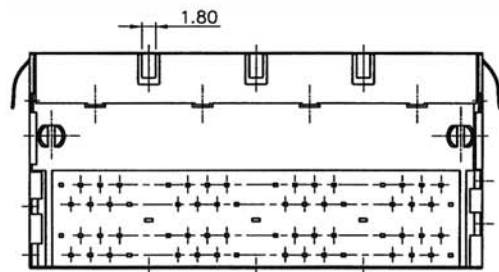
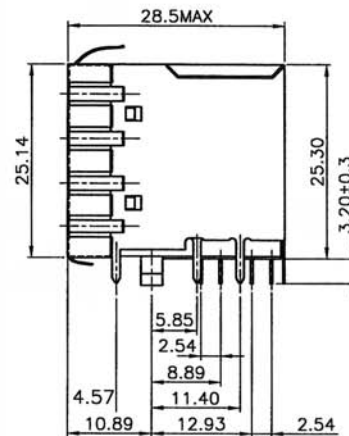
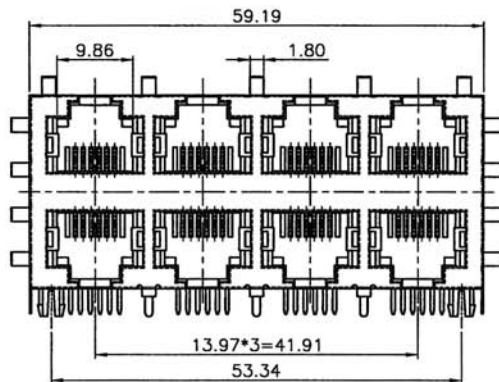
SIDE ENTRY 8-PORT DOUBLE LEVEL MODULAR PCB JACK 6P PROFILE=25.30MM (FULLY SHIELDED)

SPECIFICATIONS

Insulation Resistance: 500MΩ Min.
Contact Resistance: 20mΩ Max.
Rating Current: 1.5A Max.
Rating Voltage: 120V AC.
Dielectric Voltage: 1000 Vrms 60 Sec. Min.
Temperature Range: -40°C / +85°C
Durability: 500 Mating cycles Min.

MATERIALS

Housing: PBT Glass Filled (UL 94V-0)
Soldering Temperature: 235°C
Color: Black
Spring Wire: Phosphor Bronze
 Gold plating Over Nickel
Shield: Brass plating Nickel Alloy
All materials must be RoHS compliant.



Recommended P.C.Board Layout
(TOP VIEW)

ORDERING INFORMATION:

P/N MJ 28 - $\frac{x}{1} \frac{x}{2} \frac{x}{3} B 08$

- NO. OF POSITIONS & CONTACTS:
 "66" 6P6C
 "64" 6P4C
- CONTACT FINISH:
 "A" 6 MICROINCH GOLD
 "B" 15 MICROINCH GOLD
 "C" 30 MICROINCH GOLD
 "D" 50 MICROINCH GOLD
- NO. OF PORTS:
 08

NOTE: WITH TOP & SIDE PANEL GROUNDS

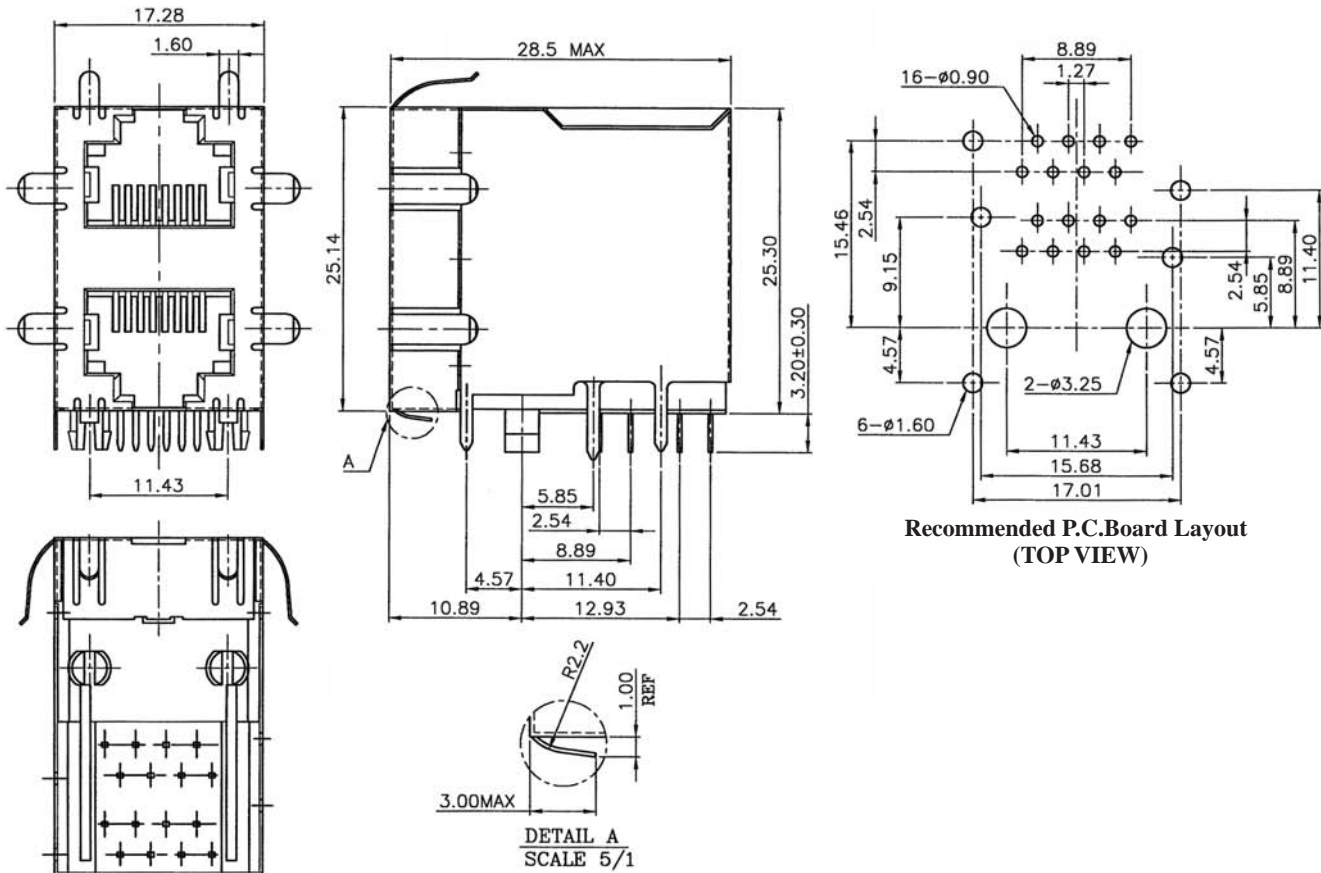
SIDE ENTRY 2-PORT DOUBLE LEVEL MODULAR PCB JACK 8P PROFILE=25.30MM (FULLY SHIELDED)

SPECIFICATIONS

Insulation Resistance: 500MΩ Min.
Contact Resistance: 20mΩ Max.
Rating Current: 1.5A Max.
Rating Voltage: 120V AC.
Dielectric Voltage: 1000 Vrms 60 Sec. Min.
Temperature Range: -40°C / +85°C
Durability: 500 Mating cycles Min.

MATERIALS

Housing: PBT Glass Filled (UL 94V-0)
Soldering Temperature: 235°C
Color: Black
Spring Wire: Phosphor Bronze
 Gold plating Over Nickel
Shield: Brass plating Nickel Alloy
All materials must be RoHS compliant.



ORDERING INFORMATION:

P/N MJ 28 - $\frac{88}{1}$ x $\frac{B}{2}$ $\frac{02}{3}$

1. NO. OF POSITIONS & CONTACTS:
"88" 8P8C
2. CONTACT FINISH:
"A" 6 MICROINCH GOLD
"B" 15 MICROINCH GOLD
"C" 30 MICROINCH GOLD
"D" 50 MICROINCH GOLD
3. NO. OF PORTS:
02

NOTE: WITH TOP & SIDE PANEL GROUNDS

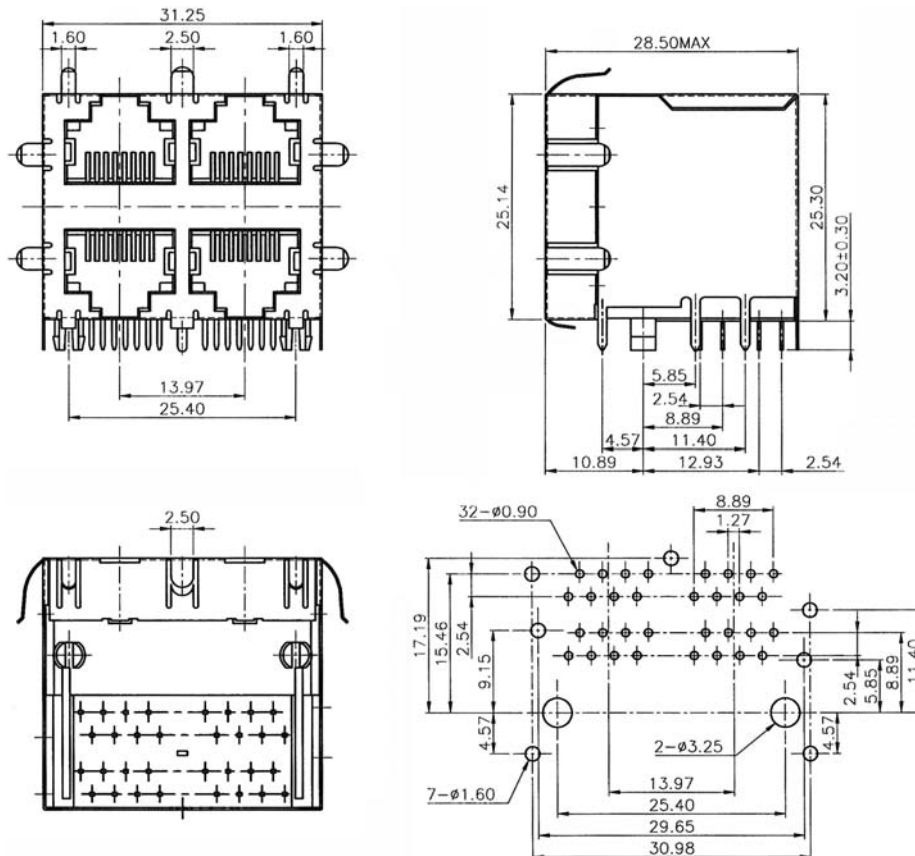
SIDE ENTRY 4-PORT DOUBLE LEVEL MODULAR PCB JACK 8P PROFILE=25.30MM (FULLY SHIELDED)

SPECIFICATIONS

Insulation Resistance: 500MΩ Min.
Contact Resistance: 20mΩ Max.
Rating Current: 1.5A Max.
Rating Voltage: 120V AC.
Dielectric Voltage: 1000 Vrms 60 Sec. Min.
Temperature Range: -40°C / +85°C
Durability: 500 Mating cycles Min.

MATERIALS

Housing: PBT Glass Filled (UL 94V-0)
Soldering Temperature: 235°C
Color: Black
Spring Wire: Phosphor Bronze
 Gold plating Over Nickel
Shield: Brass plating Nickel Alloy
All materials must be RoHS compliant.



Recommended P.C.Board Layout (TOP VIEW)

ORDERING INFORMATION:

P/N MJ 28 - 88 x B 04
 1 2 3

1. NO. OF POSITIONS & CONTACTS:
"88" 8P8C
2. CONTACT FINISH:
"A" 6 MICROINCH GOLD
"B" 15 MICROINCH GOLD
"C" 30 MICROINCH GOLD
"D" 50 MICROINCH GOLD
3. NO. OF PORTS:
04

NOTE: WITH TOP & SIDE PANEL GROUNDS

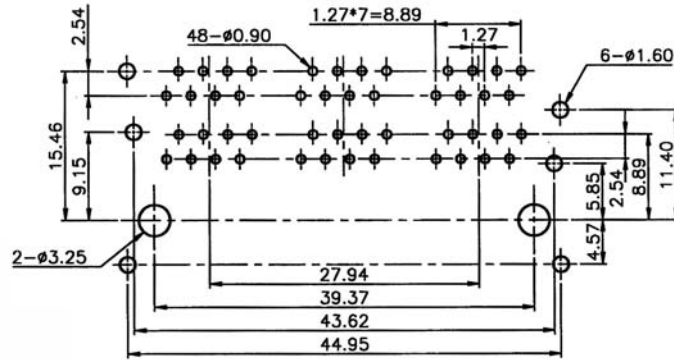
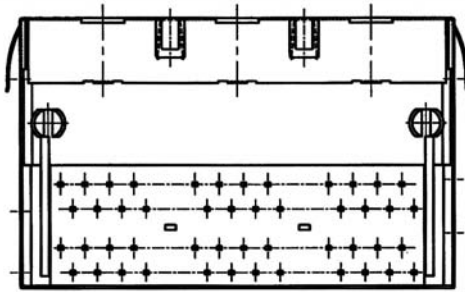
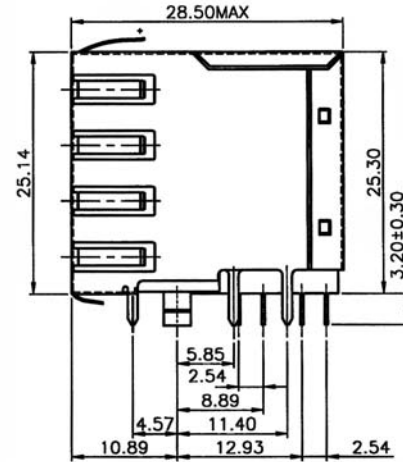
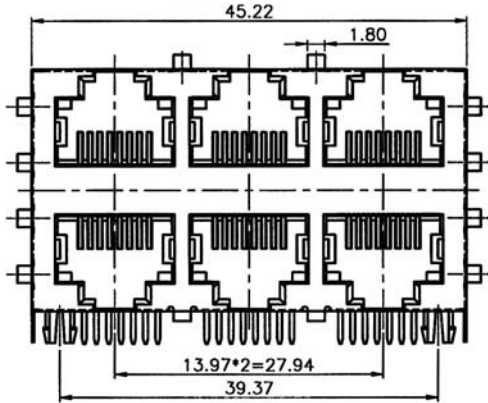
SIDE ENTRY 6-PORT DOUBLE LEVEL MODULAR PCB JACK 8P PROFILE=25.30MM (FULLY SHIELDED)

SPECIFICATIONS

Insulation Resistance: 500MΩ Min.
Contact Resistance: 20mΩ Max.
Rating Current: 1.5A Max.
Rating Voltage: 120V AC.
Dielectric Voltage: 1000 Vrms 60 Sec. Min.
Temperature Range: -40°C / +85°C
Durability: 500 Mating cycles Min.

MATERIALS

Housing: PBT Glass Filled (UL 94V-0)
Soldering Temperature: 235°C
Color: Black
Spring Wire: Phosphor Bronze
 Gold plating Over Nickel
Shield: Brass plating Nickel Alloy
All materials must be RoHS compliant.



Recommended P.C. Board Layout (TOP VIEW)

ORDERING INFORMATION:

P/N MJ 28 - $\frac{88}{1}$ x $\frac{B}{2}$ $\frac{06}{3}$

1. NO. OF POSITIONS & CONTACTS:
"88" 8P8C
2. CONTACT FINISH:
"A" 6 MICROINCH GOLD
"B" 15 MICROINCH GOLD
"C" 30 MICROINCH GOLD
"D" 50 MICROINCH GOLD
3. NO. OF PORTS:
06

NOTE: WITH TOP & SIDE PANEL GROUNDS

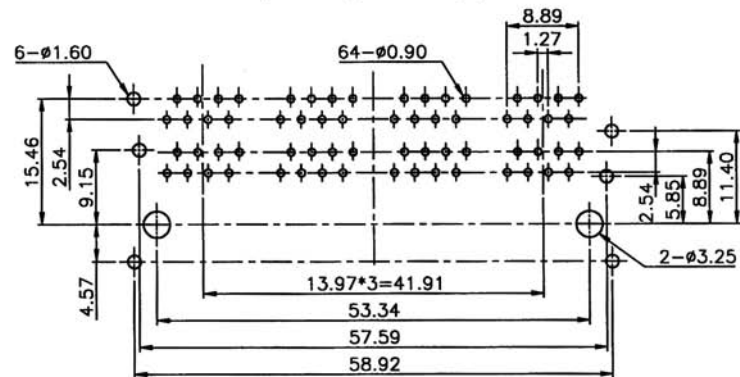
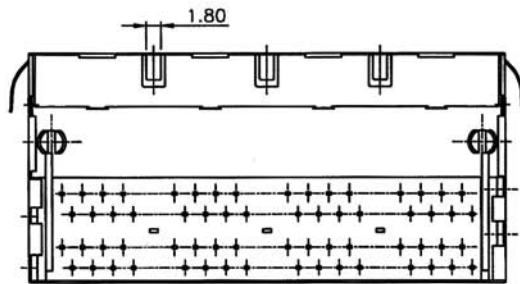
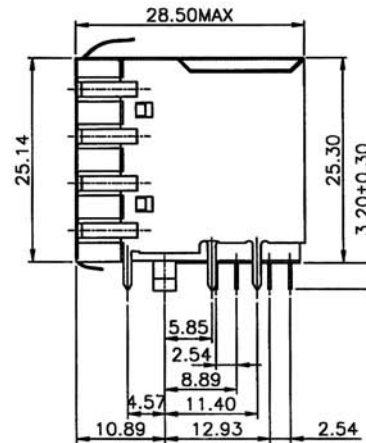
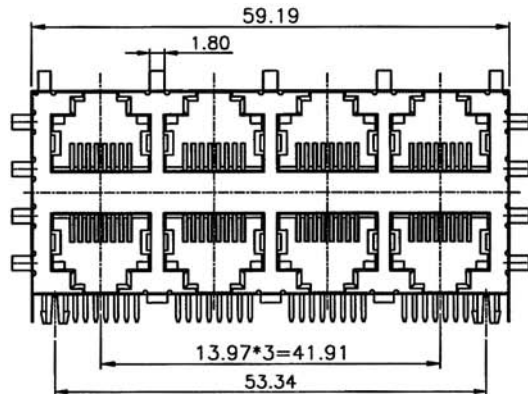
SIDE ENTRY 8-PORT DOUBLE LEVEL MODULAR PCB JACK 8P PROFILE=25.30MM (FULLY SHIELDED)

SPECIFICATIONS

Insulation Resistance: 500MΩ Min.
Contact Resistance: 20mΩ Max.
Rating Current: 1.5A Max.
Rating Voltage: 120V AC.
Dielectric Voltage: 1000 Vrms 60 Sec. Min.
Temperature Range: -40°C / +85°C
Durability: 500 Mating cycles Min.

MATERIALS

Housing: PBT Glass Filled (UL 94V-0)
Soldering Temperature: 235°C
Color: Black
Spring Wire: Phosphor Bronze
 Gold plating Over Nickel
Shield: Brass plating Nickel Alloy
All materials must be RoHS compliant.



Recommended P.C.Board Layout
(TOP VIEW)

ORDERING INFORMATION:

P/N MJ 28 - $\frac{88}{1}$ x $\frac{B}{2}$ $\frac{08}{3}$

1. NO. OF POSITIONS & CONTACTS:
"88" 8P8C
2. CONTACT FINISH:
"A" 6 MICROINCH GOLD
"B" 15 MICROINCH GOLD
"C" 30 MICROINCH GOLD
"D" 50 MICROINCH GOLD
3. NO. OF PORTS:
08

NOTE: WITH TOP & SIDE PANEL GROUNDS

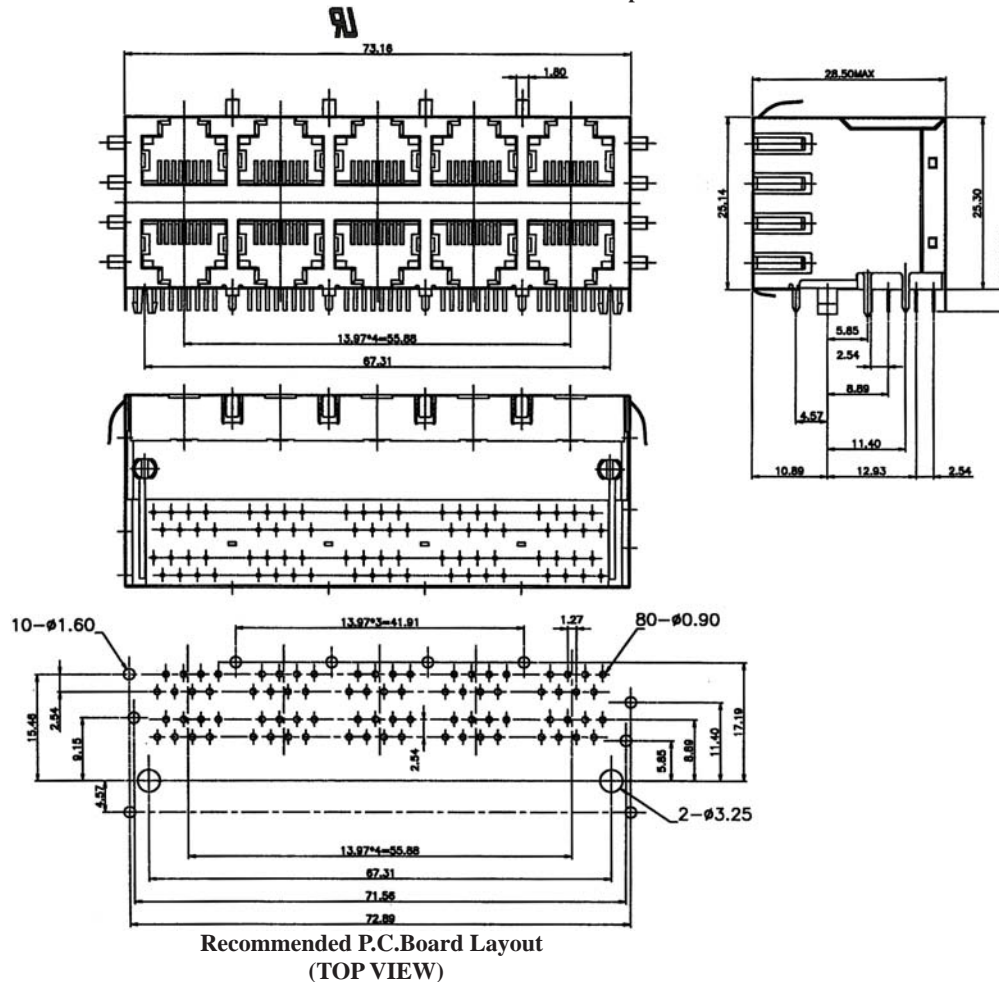
SIDE ENTRY 10-PORT DOUBLE LEVEL MODULAR PCB JACK 8P PROFILE=25.30MM (FULLY SHIELDED)

SPECIFICATIONS

Insulation Resistance: 500MΩ Min.
Contact Resistance: 20mΩ Max.
Rating Current: 1.5A Max.
Rating Voltage: 120V AC.
Dielectric Voltage: 1000 Vrms 60 Sec. Min.
Temperature Range: -40°C / +85°C
Durability: 500 Mating cycles Min.

MATERIALS

Housing: PBT Glass Filled (UL 94V-0)
Soldering Temperature: 235°C
Color: Black
Spring Wire: Phosphor Bronze
 Gold plating Over Nickel
Shield: Brass plating Nickel Alloy
All materials must be RoHS compliant.



ORDERING INFORMATION:

P/N MJ 28 - $\frac{88}{1} \times \frac{B}{2} \frac{10}{3}$

1. NO. OF POSITIONS & CONTACTS:
"88" 8P8C
2. CONTACT FINISH:
"A" 6 MICROINCH GOLD
"B" 15 MICROINCH GOLD
"C" 30 MICROINCH GOLD
"D" 50 MICROINCH GOLD
3. NO. OF PORTS:
10

NOTE: WITH TOP & SIDE PANEL GROUNDS

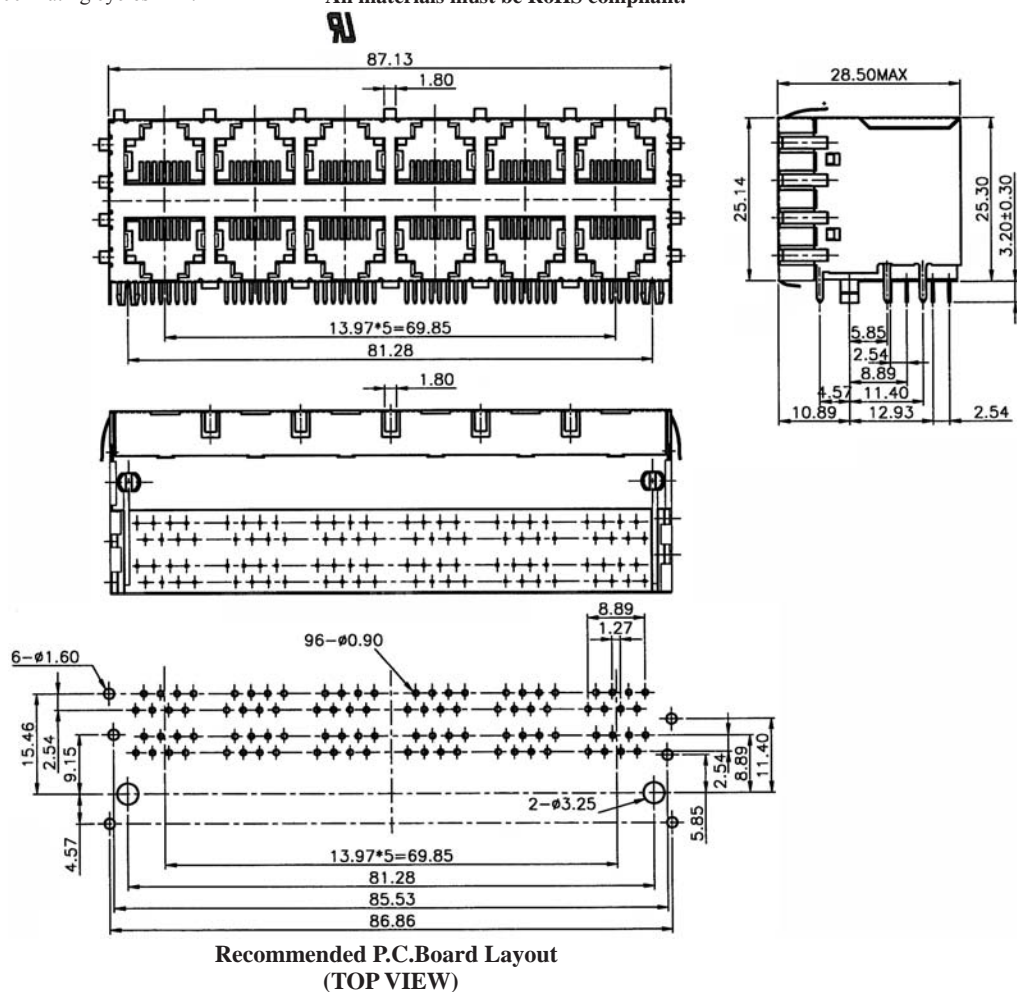
SIDE ENTRY 12-PORT DOUBLE LEVEL MODULAR PCB JACK 8P PROFILE=25.30MM (FULLY SHIELDED)

SPECIFICATIONS

Insulation Resistance: 500MΩ Min.
Contact Resistance: 20mΩ Max.
Rating Current: 1.5A Max.
Rating Voltage: 120V AC.
Dielectric Voltage: 1000 Vrms 60 Sec. Min.
Temperature Range: -40°C / +85°C
Durability: 500 Mating cycles Min.

MATERIALS

Housing: PBT Glass Filled (UL 94V-0)
Soldering Temperature: 235°C
Color: Black
Spring Wire: Phosphor Bronze
 Gold plating Over Nickel
Shield: Brass plating Nickel Alloy
All materials must be RoHS compliant.



ORDERING INFORMATION:

P/N MJ 28 - $\frac{88}{1}$ x B $\frac{12}{3}$

1. NO. OF POSITIONS & CONTACTS:
"88" 8P8C
2. CONTACT FINISH:
"A" 6 MICROINCH GOLD
"B" 15 MICROINCH GOLD
"C" 30 MICROINCH GOLD
"D" 50 MICROINCH GOLD
3. NO. OF PORTS:
12

NOTE: WITH TOP & SIDE PANEL GROUNDS

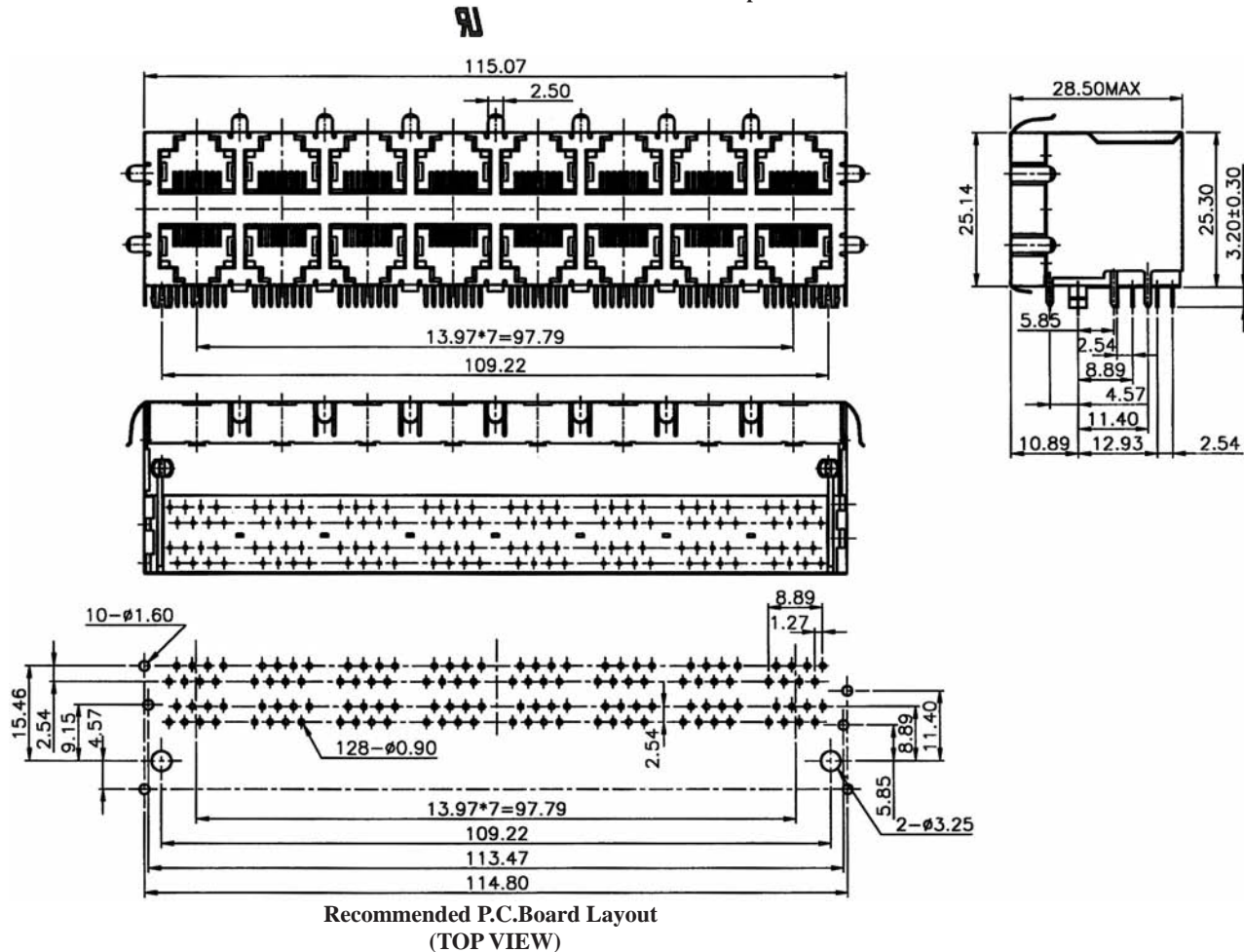
SIDE ENTRY 16-PORT DOUBLE LEVEL MODULAR PCB JACK 8P PROFILE=25.30MM (FULLY SHIELDED)

SPECIFICATIONS

Insulation Resistance: 500MΩ Min.
Contact Resistance: 20mΩ Max.
Rating Current: 1.5A Max.
Rating Voltage: 120V AC.
Dielectric Voltage: 1000 Vrms 60 Sec. Min.
Temperature Range: -40°C / +85°C
Durability: 500 Mating cycles Min.

MATERIALS

Housing: PBT Glass Filled (UL 94V-0)
Soldering Temperature: 235°C
Color: Black
Spring Wire: Phosphor Bronze
 Gold plating Over Nickel
Shield: Brass plating Nickel Alloy
All materials must be RoHS compliant.



ORDERING INFORMATION:

P/N MJ 28 - $\frac{88}{1} \times \frac{B}{2} \frac{16}{3}$

1. NO. OF POSITIONS & CONTACTS:
"88" 8P8C
2. CONTACT FINISH:
"A" 6 MICROINCH GOLD
"B" 15 MICROINCH GOLD
"C" 30 MICROINCH GOLD
"D" 50 MICROINCH GOLD
"E" GOLD FLASH
3. NO. OF PORTS:
16

NOTE: WITH TOP & SIDE PANEL GROUNDS