

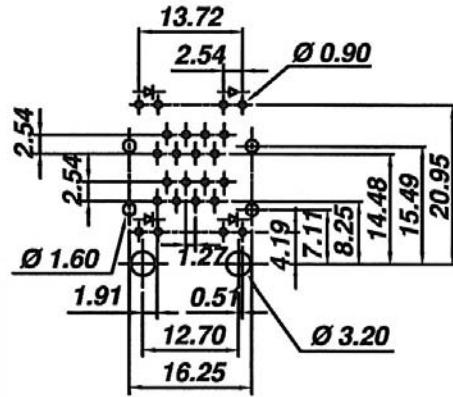
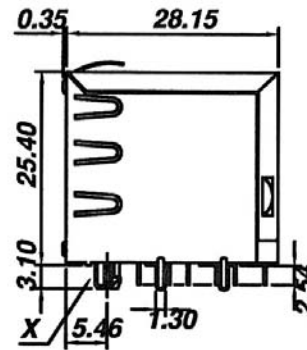
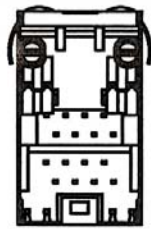
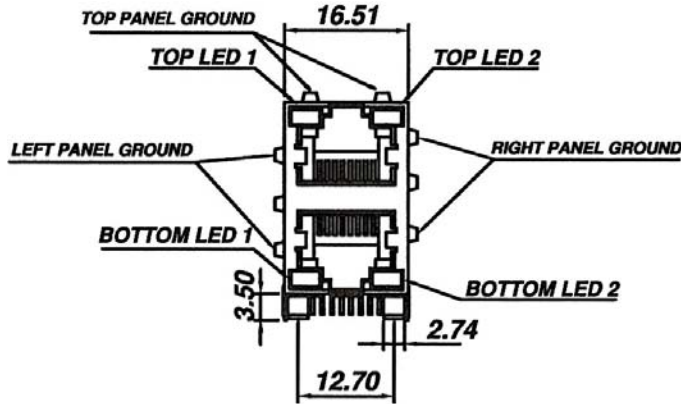
# SIDE ENTRY 2-PORT DOUBLE LEVEL MODULAR PCB JACK WITH LED 8P PROFILE=25.40MM (FULLY SHIELDED)

## SPECIFICATIONS

**Insulation Resistance:** 500MΩ Min.  
**Contact Resistance:** 20mΩ Max.  
**Rating Current:** 1.5A Max.  
**Rating Voltage:** 120V AC.  
**Dielectric Voltage:** 1000 Vrms 60 Sec. Min.  
**Temperature Range:** -40°C / +85°C  
**Durability:** 500 Mating cycles Min.

## MATERIALS

**Housing:** PBT Glass Filled (UL 94V-0)  
**Soldering Temperature:** 235°C  
**Color:** Black  
**Spring Wire:** Phosphor Bronze  
                     Gold plating Over Nickel  
**Shield:** Brass plating Nickel Alloy  
**All materials must be RoHS compliant.**



Recommended P.C.Board Layout  
(TOP VIEW)

## ORDERING INFORMATION:

P/N M J D B -  $\frac{88}{1} \times \frac{B}{2} \times \frac{02}{345}$

1. NO. OF POSITIONS & CONTACTS:  
"88" 8P8C
2. CONTACT FINISH:  
"A" 6 MICROINCH GOLD  
"B" 15 MICROINCH GOLD  
"C" 30 MICROINCH GOLD  
"D" 50 MICROINCH GOLD
3. CODE OF LED1 DESIGNATION:  
N, Y, R, X, 3, 4, 5, 6, 9, 0, 8
4. CODE OF LED2 DESIGNATION:  
N, Y, R, X, 3, 4, 5, 6, 9, 0, 8
5. NO. OF PORTS:  
02

### LED Designation:

Code	Forward	Reverse	Code	Forward	Reverse
N	Green	———	4	Yellow	Red
Y	Yellow	———	5	Green	Yellow
R	Red	———	6	Yellow	Green
1	Green	Orange	9	Red	Green
3	Green	Red	0	Red	Yellow
X	———	———	8	Orange	———

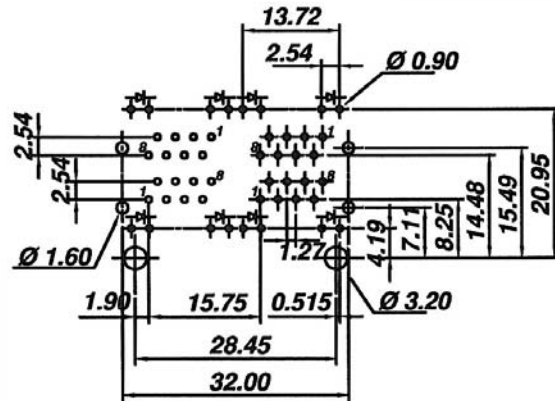
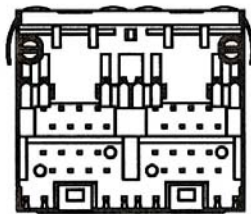
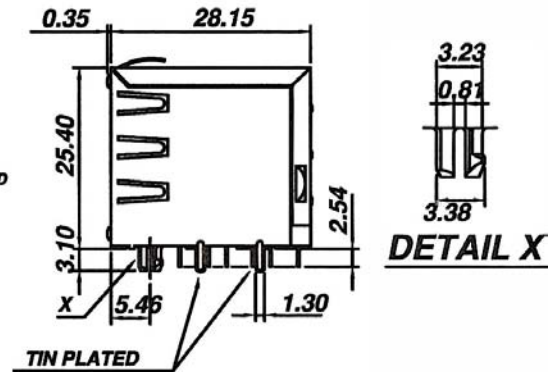
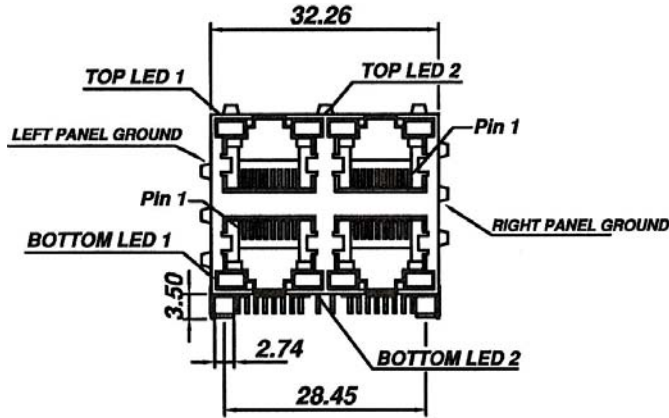
# SIDE ENTRY 4-PORT DOUBLE LEVEL MODULAR PCB JACK WITH LED 8P PROFILE=25.40MM (FULLY SHIELDED)

## SPECIFICATIONS

**Insulation Resistance:** 500MΩ Min.  
**Contact Resistance:** 20mΩ Max.  
**Rating Current:** 1.5A Max.  
**Rating Voltage:** 120V AC.  
**Dielectric Voltage:** 1000 Vrms 60 Sec. Min.  
**Temperature Range:** -40°C / +85°C  
**Durability:** 500 Mating cycles Min.

## MATERIALS

**Housing:** PBT Glass Filled (UL 94V-0)  
**Soldering Temperature:** 235°C  
**Color:** Black  
**Spring Wire:** Phosphor Bronze  
                     Gold plating Over Nickel  
**Shield:** Brass plating Nickel Alloy  
**All materials must be RoHS compliant.**



Recommended P.C.Board Layout (TOP VIEW)

## ORDERING INFORMATION:

P/N M J D B - 88 x B x x 04  
                   1 2 3 4 5

1. NO. OF POSITIONS & CONTACTS:  
"88" 8P8C
2. CONTACT FINISH:  
"A" 6 MICROINCH GOLD  
"B" 15 MICROINCH GOLD  
"C" 30 MICROINCH GOLD  
"D" 50 MICROINCH GOLD
3. CODE OF LED1 DESIGNATION:  
N, Y, R, X, 3, 4, 5, 6, 9, 0, 8
4. CODE OF LED2 DESIGNATION:  
N, Y, R, X, 3, 4, 5, 6, 9, 0, 8
5. NO. OF PORTS:  
04

LED Designation:					
Code	Forward	Reverse	Code	Forward	Reverse
N	Green	—	4	Yellow	Red
Y	Yellow	—	5	Green	Yellow
R	Red	—	6	Yellow	Green
1	Green	Orange	9	Red	Green
3	Green	Red	0	Red	Yellow
X	—	—	8	Orange	—

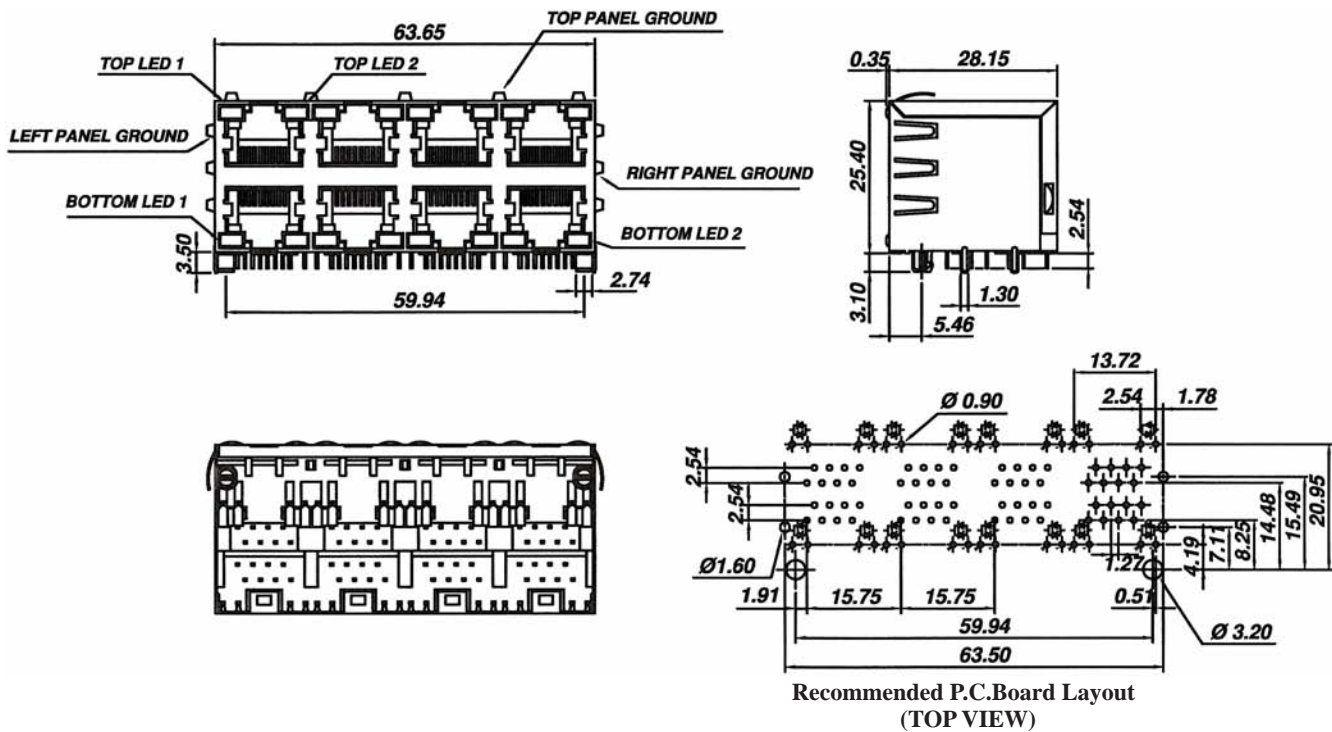
## SIDE ENTRY 8-PORT DOUBLE LEVEL MODULAR PCB JACK WITH LED 8P PROFILE=25.40MM (FULLY SHIELDED)

### SPECIFICATIONS

**Insulation Resistance:** 500MΩ Min.  
**Contact Resistance:** 20mΩ Max.  
**Rating Current:** 1.5A Max.  
**Rating Voltage:** 120V AC.  
**Dielectric Voltage:** 1000 Vrms 60 Sec. Min.  
**Temperature Range:** -40°C / +85°C  
**Durability:** 500 Mating cycles Min.

### MATERIALS

**Housing:** PBT Glass Filled (UL 94V-0)  
**Soldering Temperature:** 235°C  
**Color:** Black  
**Spring Wire:** Phosphor Bronze  
                     Gold plating Over Nickel  
**Shield:** Brass plating Nickel Alloy  
**All materials must be RoHS compliant.**



### ORDERING INFORMATION:

P/N M J D B - 8 8 x B x x 0 8  
                    1 2 3 4 5

1. NO. OF POSITIONS & CONTACTS:  
"88" 8P8C
2. CONTACT FINISH:  
"A" 6 MICROINCH GOLD  
"B" 15 MICROINCH GOLD  
"C" 30 MICROINCH GOLD  
"D" 50 MICROINCH GOLD
3. CODE OF LED1 DESIGNATION:  
N, Y, R, X, 3, 4, 5, 6, 9, 0, 8
4. CODE OF LED2 DESIGNATION:  
N, Y, R, X, 3, 4, 5, 6, 9, 0, 8
5. NO. OF PORTS:  
08

LED Designation:					
Code	Forward	Reverse	Code	Forward	Reverse
N	Green	———	4	Yellow	Red
Y	Yellow	———	5	Green	Yellow
R	Red	———	6	Yellow	Green
1	Green	Orange	9	Red	Green
3	Green	Red	0	Red	Yellow
X	———	———	8	Orange	———

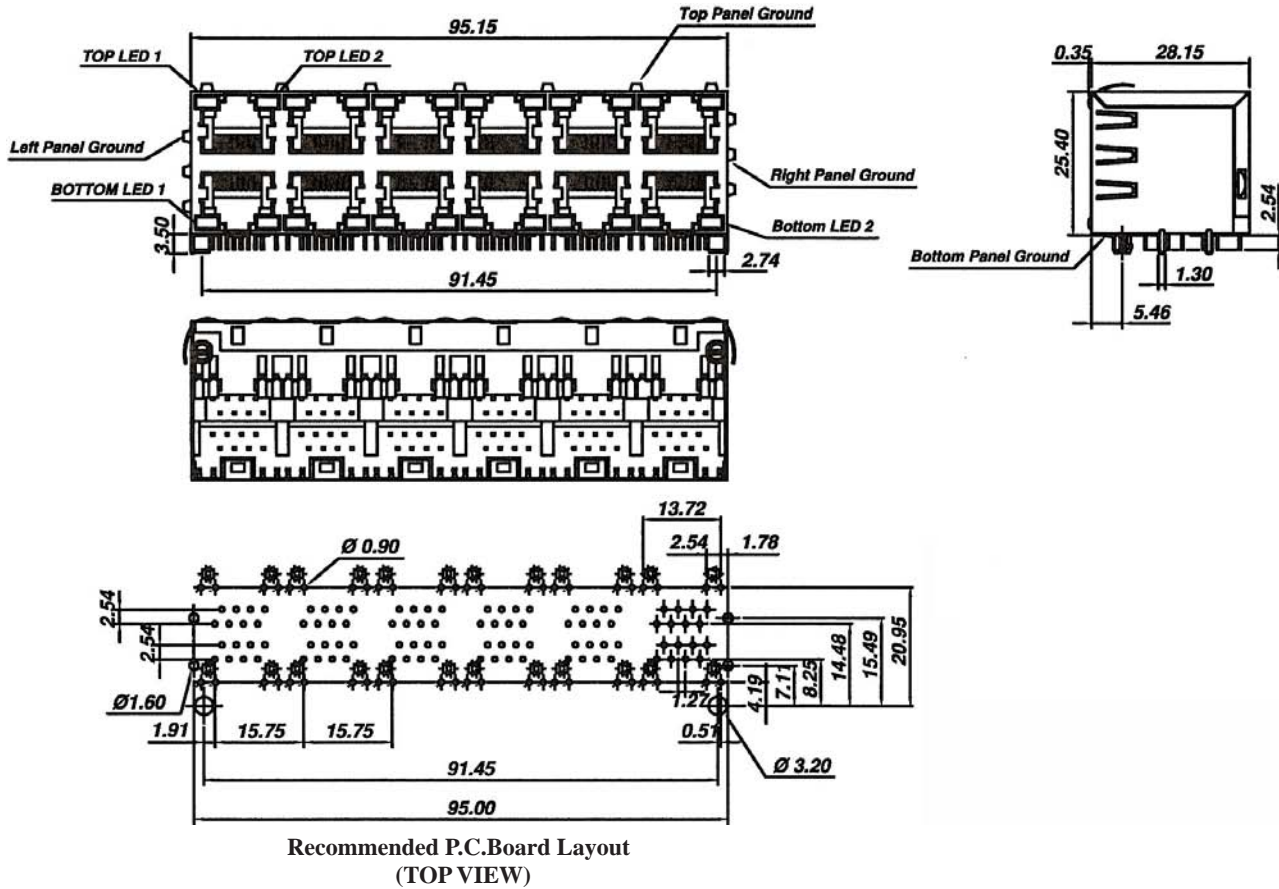
# SIDE ENTRY 12-PORT DOUBLE LEVEL MODULAR PCB JACK WITH LED 8P PROFILE=25.40MM (FULLY SHIELDED)

## SPECIFICATIONS

**Insulation Resistance:** 500MΩ Min.  
**Contact Resistance:** 20mΩ Max.  
**Rating Current:** 1.5A Max.  
**Rating Voltage:** 120V AC.  
**Dielectric Voltage:** 1000 Vrms 60 Sec. Min.  
**Temperature Range:** -40°C / +85°C  
**Durability:** 500 Mating cycles Min.

## MATERIALS

**Housing:** PBT Glass Filled (UL 94V-0)  
**Soldering Temperature:** 235°C  
**Color:** Black  
**Spring Wire:** Phosphor Bronze  
                     Gold plating Over Nickel  
**Shield:** Brass plating Nickel Alloy  
**All materials must be RoHS compliant.**



## ORDERING INFORMATION:

P/N M J D B - 88 x B x x 12  
                     1 2 3 4 5

1. NO. OF POSITIONS & CONTACTS:  
"88" 8P8C
2. CONTACT FINISH:  
"A" 6 MICROINCH GOLD  
"B" 15 MICROINCH GOLD  
"C" 30 MICROINCH GOLD  
"D" 50 MICROINCH GOLD
3. CODE OF LED1 DESIGNATION:  
N, Y, R, X, 3, 4, 5, 6, 9, 0, 8
4. CODE OF LED2 DESIGNATION:  
N, Y, R, X, 3, 4, 5, 6, 9, 0, 8
5. NO. OF PORTS:  
12

LED Designation:					
Code	Forward	Reverse	Code	Forward	Reverse
N	Green	———	4	Yellow	Red
Y	Yellow	———	5	Green	Yellow
R	Red	———	6	Yellow	Green
1	Green	Orange	9	Red	Green
3	Green	Red	0	Red	Yellow
X	———	———	8	Orange	———