

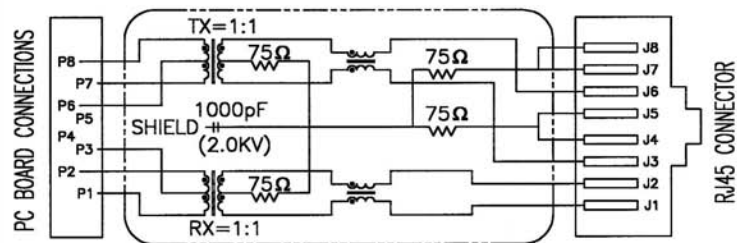
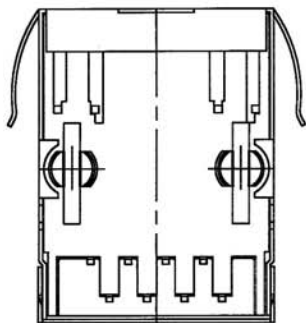
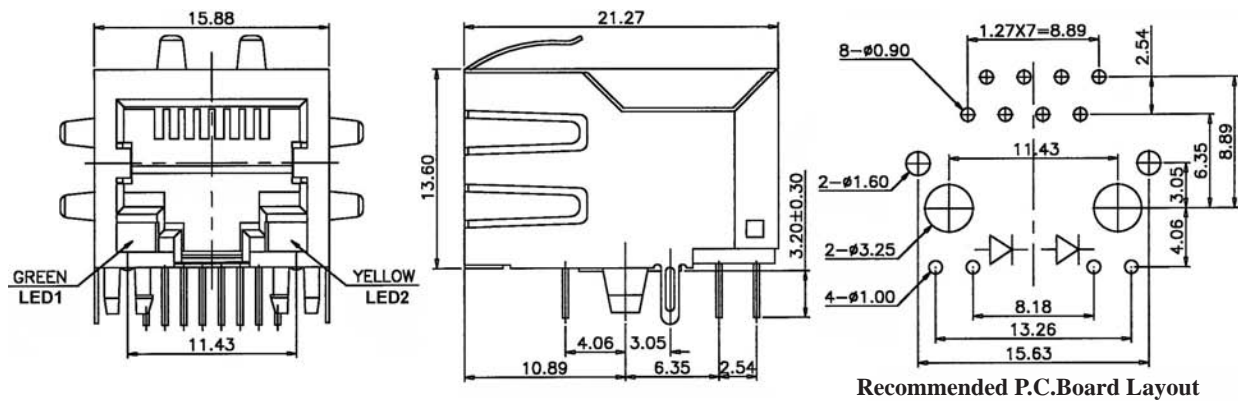
SIDE ENTRY MAGNETIC 10/100 BASE-T JACK WITH LED 8P (FULLY SHIELDED)

SPECIFICATIONS

Insulation Resistance: 500MΩ Min.
Contact Resistance: 20mΩ Max.
Rating Current: 1.5A Max.
Rating Voltage: 120V AC.
Dielectric Voltage: 1000 Vrms 60 Sec. Min.
Temperature Range: -40°C / +85°C
Durability: 500 Mating cycles Min.

MATERIALS

Housing: Nylon (UL 94V-0)
Soldering Temperature: 260°C
Color: Black
Spring Wire: Phosphor Bronze
 Gold plating Over Nickel
All materials must be RoHS compliant.



ORDERING INFORMATION:

P/N M J M 1 - 8 8 x B 0 1 x x
 1 2 3 4

1. NO. OF POSITIONS & CONTACTS:
"88" 8P8C
2. CONTACT FINISH:
"A" 6 MICROINCH GOLD
"B" 15 MICROINCH GOLD
"C" 30 MICROINCH GOLD
"D" 50 MICROINCH GOLD
3. MAGNETIC SCHEMATICS:
01

4. COLORS OF LED:
"NN" LED1: GREEN & LED2: GREEN
"NY" LED1: GREEN & LED2: YELLOW
"YN" LED1: YELLOW & LED2: GREEN
"YY" LED1: YELLOW & LED2: YELLOW
"XX" W/O LED

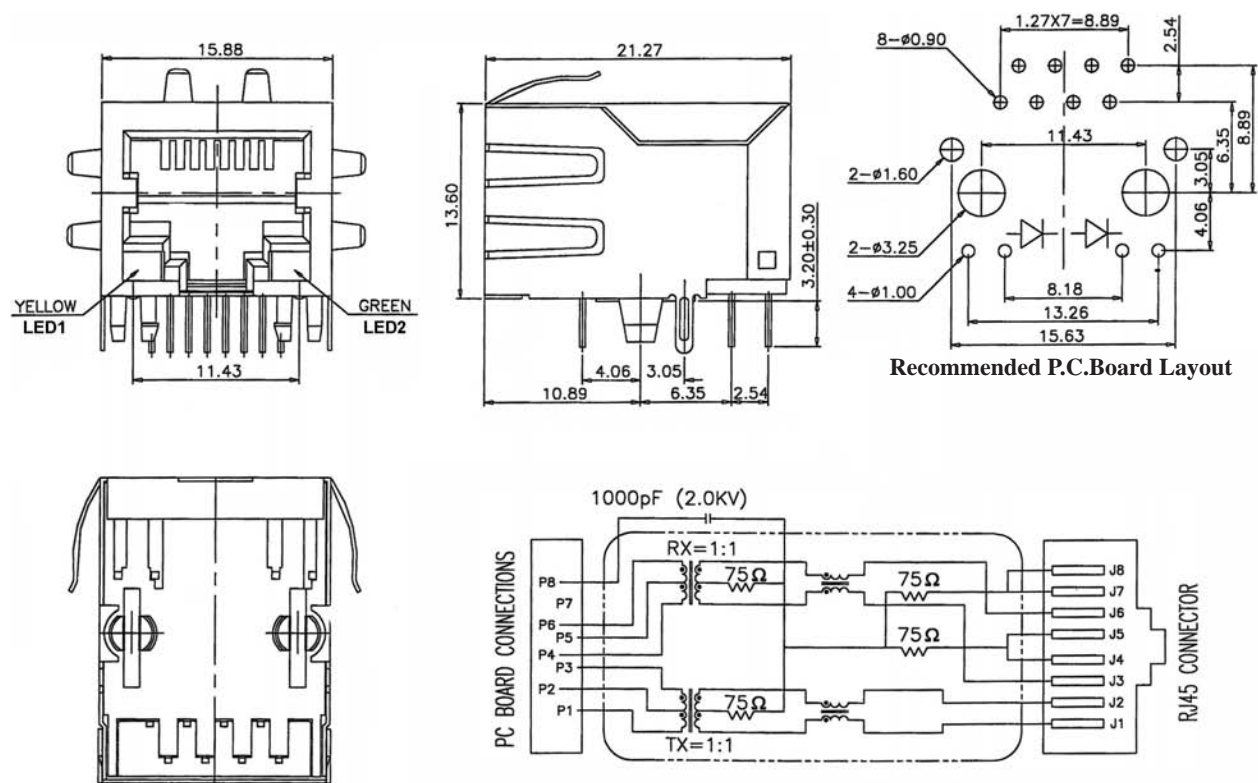
SIDE ENTRY MAGNETIC 10/100 BASE-T JACK WITH LED 8P (FULLY SHIELDED)

SPECIFICATIONS

Insulation Resistance: 500MΩ Min.
Contact Resistance: 20mΩ Max.
Rating Current: 1.5A Max.
Rating Voltage: 120V AC.
Dielectric Voltage: 1000 Vrms 60 Sec. Min.
Temperature Range: -40°C / +85°C
Durability: 500 Mating cycles Min.

MATERIALS

Housing: Nylon (UL 94V-0)
Soldering Temperature: 260°C
Color: Black
Spring Wire: Phosphor Bronze
 Gold plating Over Nickel
All materials must be RoHS compliant.



ORDERING INFORMATION:

P/N M J M 1 - 8 8 x B 0 2 x x
 1 2 3 4

- NO. OF POSITIONS & CONTACTS:
"88" 8P8C
- CONTACT FINISH:
"A" 6 MICROINCH GOLD
"B" 15 MICROINCH GOLD
"C" 30 MICROINCH GOLD
"D" 50 MICROINCH GOLD
- MAGNETIC SCHEMATICS:
02

- COLORS OF LED:
"NN" LED1: GREEN & LED2: GREEN
"NY" LED1: GREEN & LED2: YELLOW
"YN" LED1: YELLOW & LED2: GREEN
"YY" LED1: YELLOW & LED2: YELLOW
"XX" W/O LED

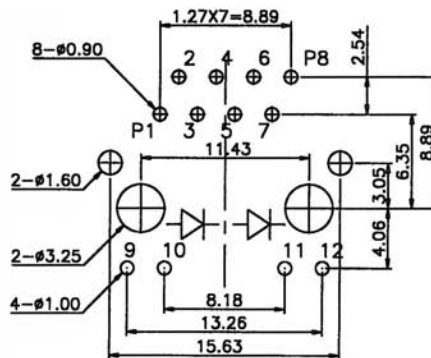
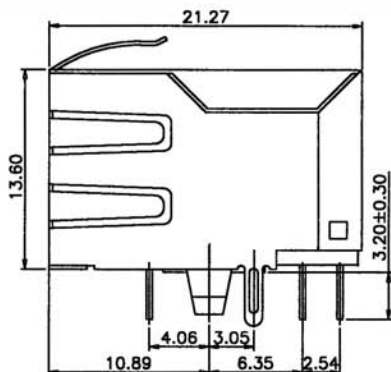
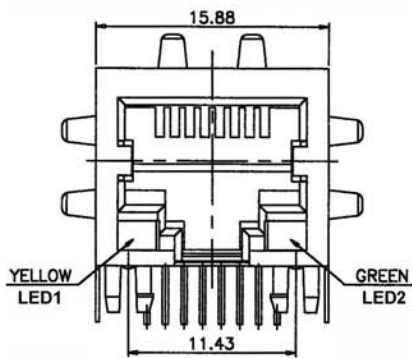
SIDE ENTRY MAGNETIC 10/100 BASE-T JACK WITH LED 8P (FULLY SHIELDED)

SPECIFICATIONS

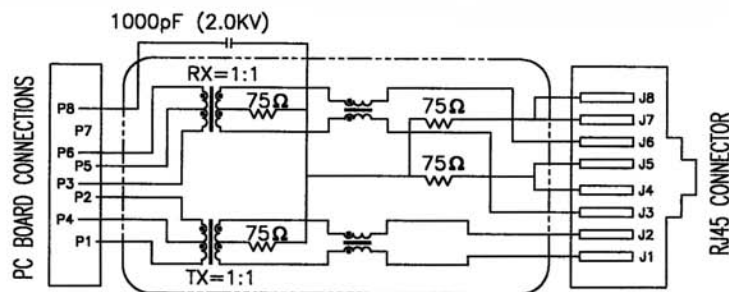
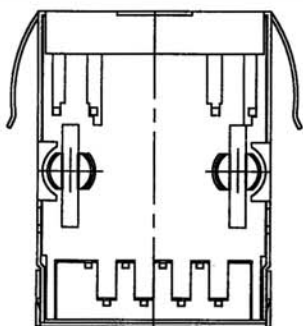
Insulation Resistance: 500MΩ Min.
Contact Resistance: 20mΩ Max.
Rating Current: 1.5A Max.
Rating Voltage: 120V AC.
Dielectric Voltage: 1000 Vrms 60 Sec. Min.
Temperature Range: -40°C / +85°C
Durability: 500 Mating cycles Min.

MATERIALS

Housing: Nylon (UL 94V-0)
Soldering Temperature: 260°C
Color: Black
Spring Wire: Phosphor Bronze
 Gold plating Over Nickel
All materials must be RoHS compliant.



Recommended P.C. Board Layout



ORDERING INFORMATION:

P/N M J M 1 - 8 8 x B 0 6 x x
 1 2 3 4

1. NO. OF POSITIONS & CONTACTS:

"88" 8P8C

2. CONTACT FINISH:

"A" 6 MICROINCH GOLD
 "B" 15 MICROINCH GOLD
 "C" 30 MICROINCH GOLD
 "D" 50 MICROINCH GOLD

3. MAGNETIC SCHEMATICS:

06

4. COLORS OF LED:

"NN" LED1: GREEN & LED2: GREEN
 "NY" LED1: GREEN & LED2: YELLOW
 "YN" LED1: YELLOW & LED2: GREEN
 "YY" LED1: YELLOW & LED2: YELLOW
 "XX" W/O LED