

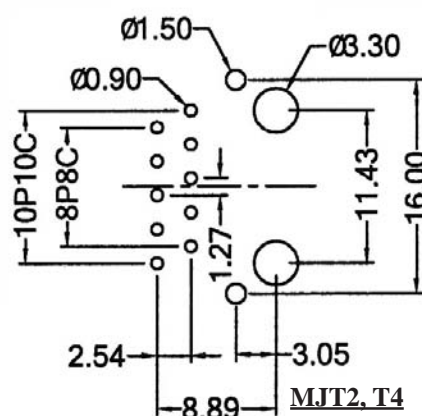
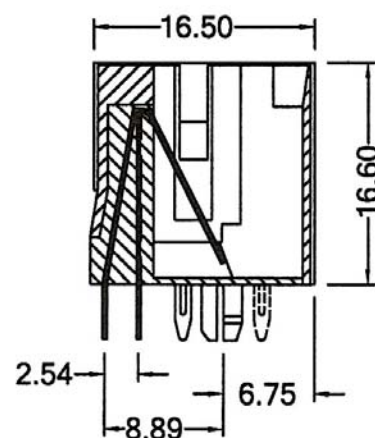
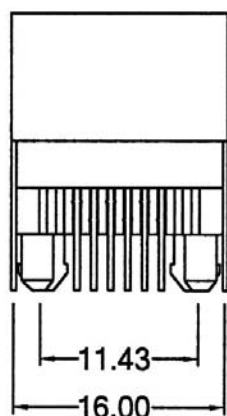
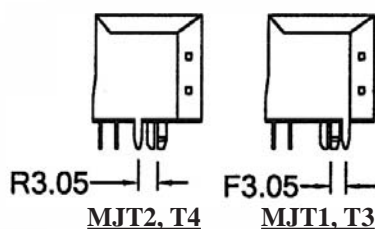
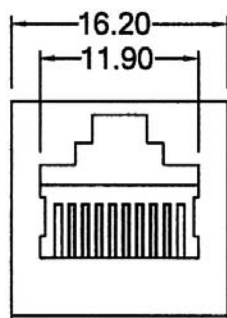
## TOP ENTRY MODULAR PCB JACK 8P+10P PROFILE=16.60MM (FULLY SHIELDED)

### SPECIFICATIONS

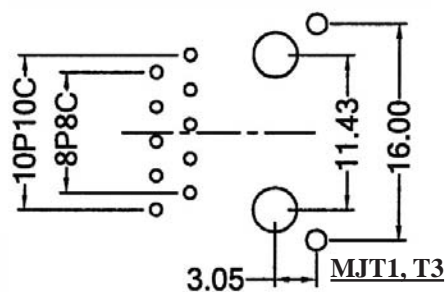
**Insulation Resistance:** 500MΩ Min.  
**Contact Resistance:** 20mΩ Max.  
**Rating Current:** 1.5A Max.  
**Rating Voltage:** 120V AC.  
**Dielectric Voltage:** 1000 Vrms 60 Sec. Min.  
**Temperature Range:** -40°C / +85°C  
**Durability:** 500 Mating cycles Min.

### MATERIALS

**Housing:** PBT Glass Filled (UL 94V-0)  
**Soldering Temperature:** 235°C  
**Color:** Black  
**Spring Wire:** Phosphor Bronze  
                     Gold plating Over Nickel  
**Shield:** Brass plating Nickel Alloy  
**All materials must be RoHS compliant.**



Recommended P.C.Board Layout  
(TOP VIEW)



Recommended P.C.Board Layout  
(TOP VIEW)

### ORDERING INFORMATION:

P/N M J  $\frac{x}{1} - \frac{x}{2} \frac{x}{3} B$

1. PANEL STOP & SPACING OPTION:
  - "T1" F3.05 WITH PANEL STOP
  - "T2" R3.05 WITH PANEL STOP
  - "T3" F3.05 W/O PANEL STOP
  - "T4" R3.05 W/O PANEL STOP
2. NO. OF POSITIONS & CONTACTS:
  - "88" 8P8C
  - "00" 10P10C
3. CONTACT FINISH:
  - "A" 6 MICROINCH GOLD
  - "B" 15 MICROINCH GOLD
  - "C" 30 MICROINCH GOLD
  - "D" 50 MICROINCH GOLD