

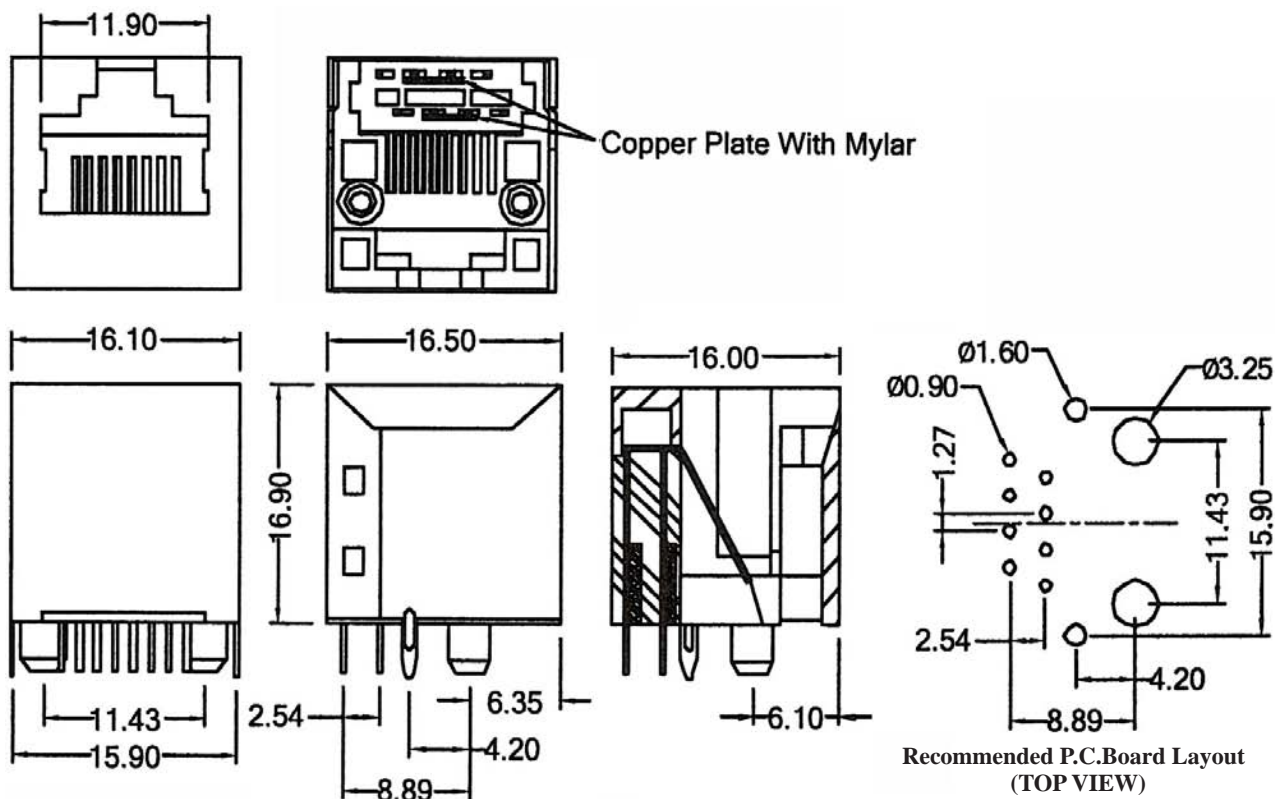
TOP ENTRY MODULAR PCB JACK WITH FILM (MYLAR) 8P PROFILE=16.90MM (FULLY SHIELDED)

SPECIFICATIONS

Insulation Resistance: 500M Ω Min.
Contact Resistance: 20m Ω Max.
Rating Current: 1.5A Max.
Rating Voltage: 120V AC.
Dielectric Voltage: 1000 Vrms 60 Sec. Min.
Temperature Range: -40 $^{\circ}$ c / +85 $^{\circ}$ c
Durability: 500 Mating cycles Min.

MATERIALS

Housing: PBT Glass Filled (UL 94V-0)
Soldering Temperature: 235 $^{\circ}$ c
Color: Black
Spring Wire: Phosphor Bronze
Gold plating Over Nickel
Shield: Brass plating Nickel Alloy
All materials must be RoHS compliant.



ORDERING INFORMATION:

P/N MJ7S - $\frac{88 \times B}{1 \ 2}$

1. NO. OF POSITIONS & CONTACTS:
"88" 8P8C
2. CONTACT FINISH:
"A" 6 MICROINCH GOLD
"B" 15 MICROINCH GOLD
"C" 30 MICROINCH GOLD
"D" 50 MICROINCH GOLD