

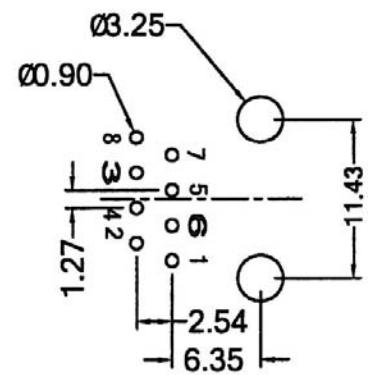
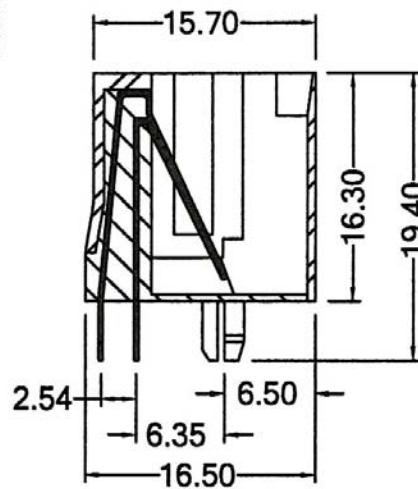
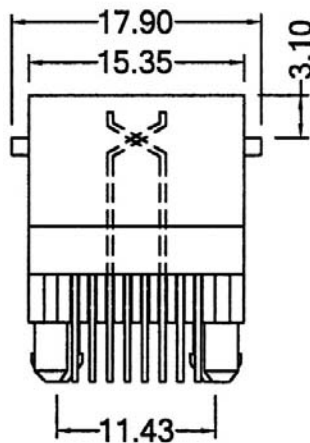
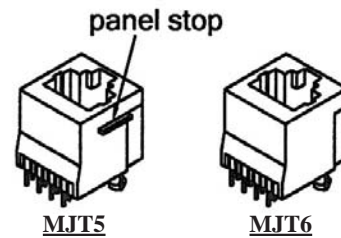
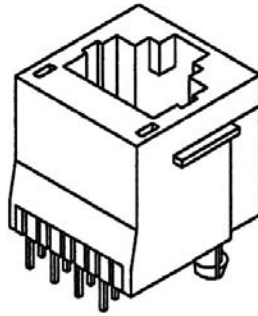
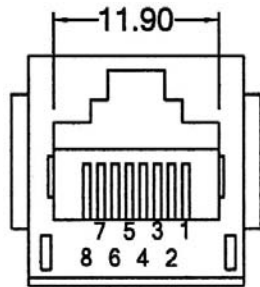
TOP ENTRY MODULAR PCB JACK WITH PIN #3 & #6 CROSSING 8P PROFILE=16.30MM (UNSHIELDED)

SPECIFICATIONS

Insulation Resistance: 500MΩ Min.
Contact Resistance: 20mΩ Max.
Rating Current: 1.5A Max.
Rating Voltage: 120V AC.
Dielectric Voltage: 1000 Vrms 60 Sec. Min.
Temperature Range: -40°C / +85°C
Durability: 500 Mating cycles Min.

MATERIALS

Housing: PBT Glass Filled (UL 94V-0)
Soldering Temperature: 235°C
Color: Black
Spring Wire: Phosphor Bronze
 Gold plating Over Nickel
All materials must be RoHS compliant.



Recommended P.C.Board Layout
(TOP VIEW)

ORDERING INFORMATION:

P/N MJ $\frac{x}{1}$ - 88 $\frac{x}{2}$ B $\frac{x}{3}$

1. PANEL STOP OPTION:
"T5" WITH PANEL STOP
"T6" W/O PANEL STOP
2. NO. OF POSITIONS & CONTACTS:
"88" 8P8C
3. CONTACT FINISH:
"A" 6 MICROINCH GOLD
"B" 15 MICROINCH GOLD
"C" 30 MICROINCH GOLD
"D" 50 MICROINCH GOLD

NOTE: PIN #3 & PIN #6 CROSSING