

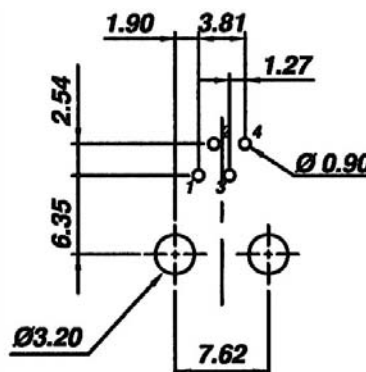
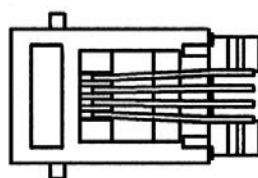
## TOP ENTRY MODULAR PCB JACK 4P PROFILE=16.38MM (UNSHIELDED)

### SPECIFICATIONS

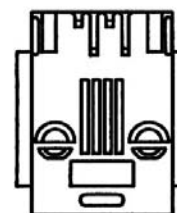
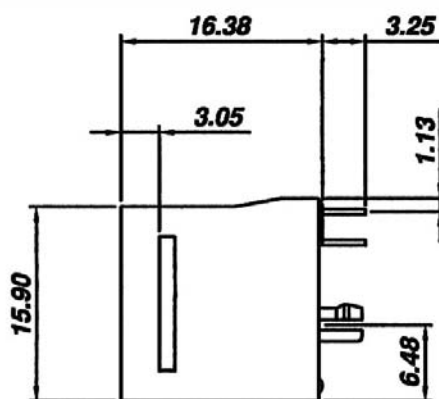
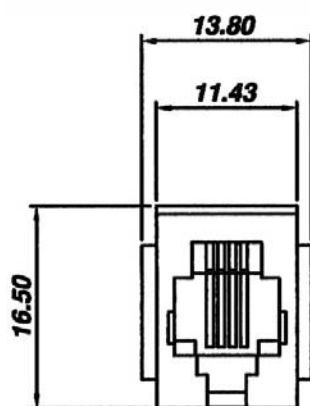
**Insulation Resistance:** 500MΩ Min.  
**Contact Resistance:** 20mΩ Max.  
**Rating Current:** 1.5A Max.  
**Rating Voltage:** 120V AC.  
**Dielectric Voltage:** 1000 Vrms 60 Sec. Min.  
**Temperature Range:** -40°C / +85°C  
**Durability:** 500 Mating cycles Min.

### MATERIALS

**Housing:** PBT Glass Filled (UL 94V-0)  
**Soldering Temperature:** 235°C  
**Color:** Black  
**Spring Wire:** Phosphor Bronze  
 Gold plating Over Nickel  
**All materials must be RoHS compliant.**



Recommended P.C. Board Layout  
(TOP VIEW)



### ORDERING INFORMATION:

P/N M J  $\frac{90}{1}$  -  $\frac{44}{2}$  x  $\frac{B}{3}$

1. TYPE OF HOUSING:  
"90" WITH PANEL STOP (FLANGED)
2. NO. OF POSITIONS & CONTACTS:  
"44" 4P4C
3. CONTACT FINISH:  
"A" 6 MICROINCH GOLD  
"B" 15 MICROINCH GOLD  
"C" 30 MICROINCH GOLD  
"D" 50 MICROINCH GOLD

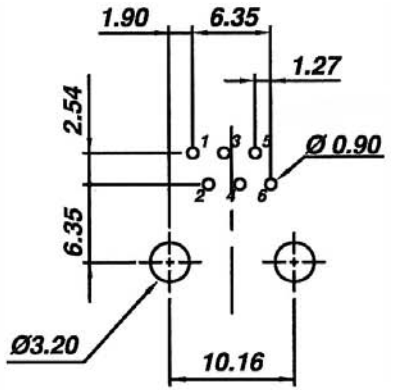
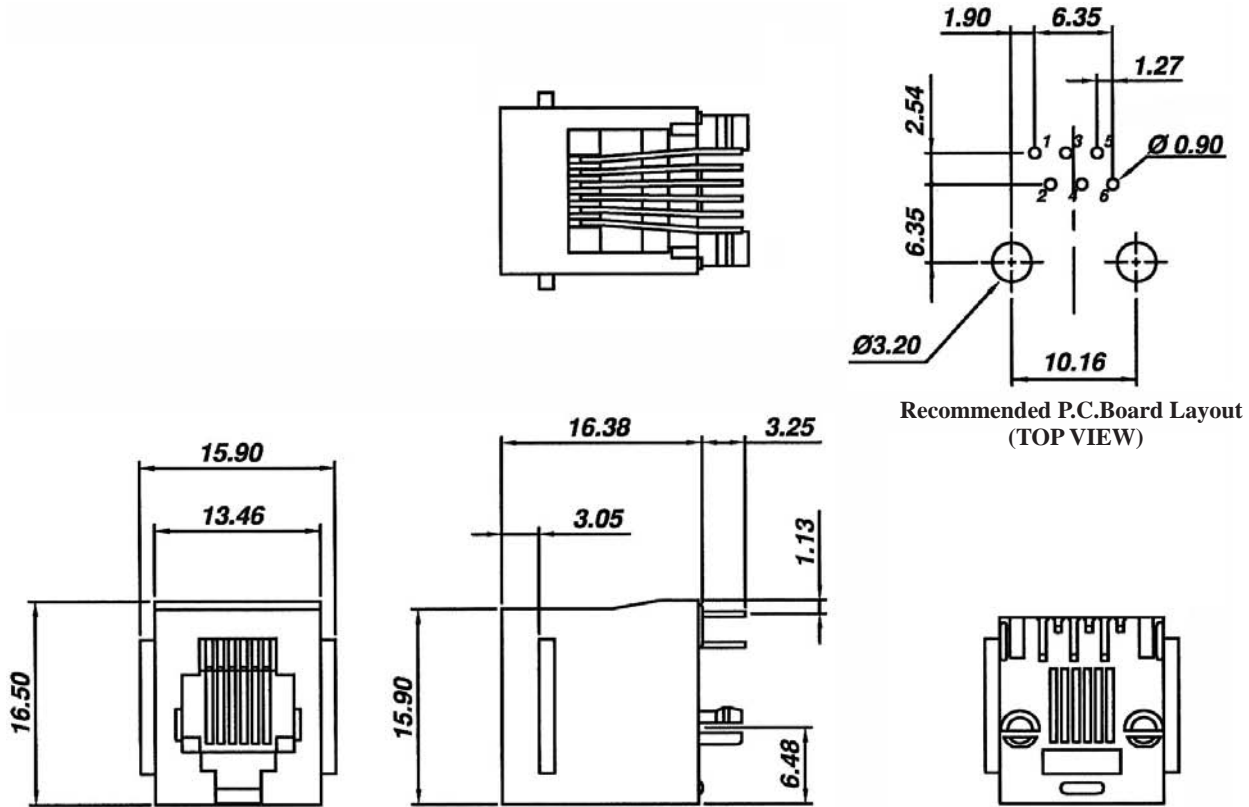
## TOP ENTRY MODULAR PCB JACK 6P PROFILE=16.38MM (UNSHIELDED)

### SPECIFICATIONS

**Insulation Resistance:** 500MΩ Min.  
**Contact Resistance:** 20mΩ Max.  
**Rating Current:** 1.5A Max.  
**Rating Voltage:** 120V AC.  
**Dielectric Voltage:** 1000 Vrms 60 Sec. Min.  
**Temperature Range:** -40°C / +85°C  
**Durability:** 500 Mating cycles Min.

### MATERIALS

**Housing:** PBT Glass Filled (UL 94V-0)  
**Soldering Temperature:** 235°C  
**Color:** Black  
**Spring Wire:** Phosphor Bronze  
 Gold plating Over Nickel  
**All materials must be RoHS compliant.**



Recommended P.C. Board Layout (TOP VIEW)

### ORDERING INFORMATION:

P/N MJ 90 -  $\frac{x}{1}$   $\frac{x}{2}$   $\frac{x}{3}$  B

1. TYPE OF HOUSING:  
"90" WITH PANEL STOP (FLANGED)
2. NO. OF POSITIONS & CONTACTS:  
"66" 6P6C  
"64" 6P4C
3. CONTACT FINISH:  
"A" 6 MICROINCH GOLD  
"B" 15 MICROINCH GOLD  
"C" 30 MICROINCH GOLD  
"D" 50 MICROINCH GOLD

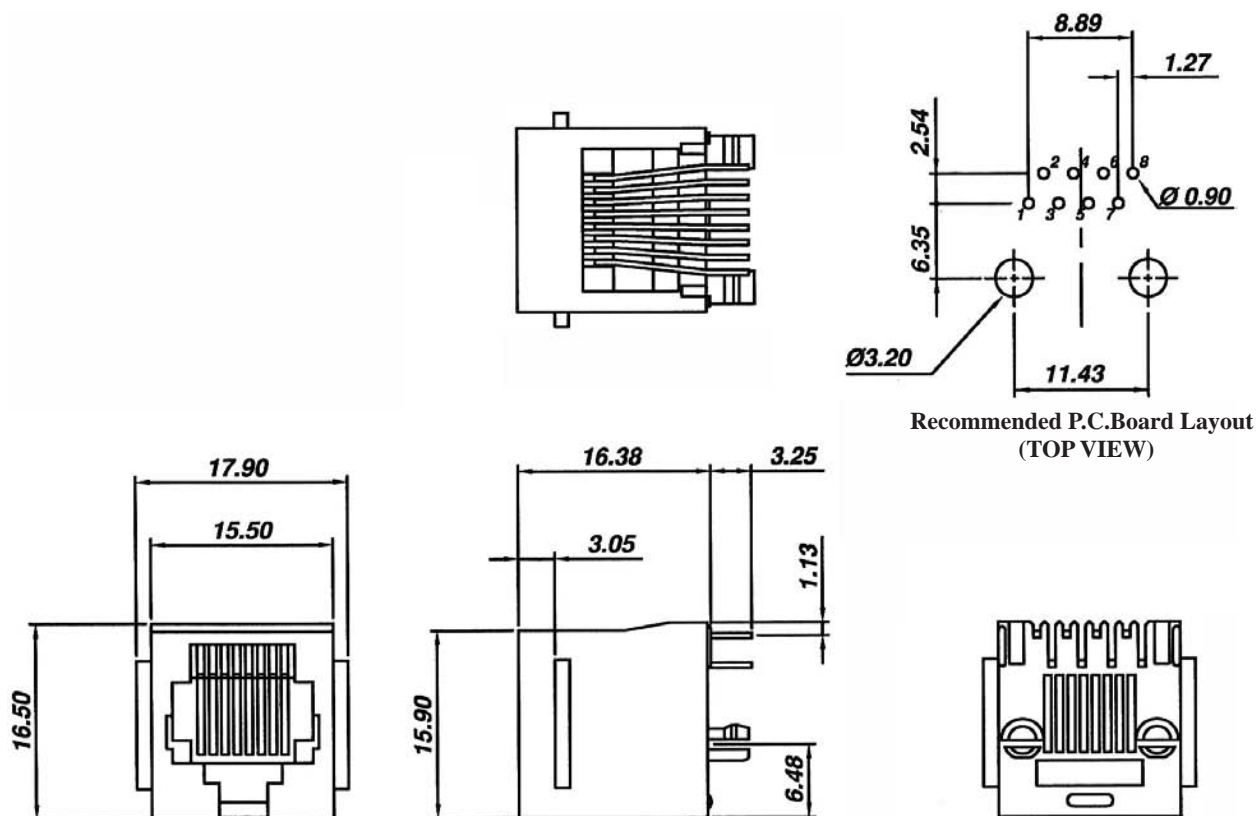
## TOP ENTRY MODULAR PCB JACK 8P PROFILE=16.38MM (UNSHIELDED)

### SPECIFICATIONS

**Insulation Resistance:** 500MΩ Min.  
**Contact Resistance:** 20mΩ Max.  
**Rating Current:** 1.5A Max.  
**Rating Voltage:** 120V AC.  
**Dielectric Voltage:** 1000 Vrms 60 Sec. Min.  
**Temperature Range:** -40°C / +85°C  
**Durability:** 500 Mating cycles Min.

### MATERIALS

**Housing:** PBT Glass Filled (UL 94V-0)  
**Soldering Temperature:** 235°C  
**Color:** Black  
**Spring Wire:** Phosphor Bronze  
 Gold plating Over Nickel  
**All materials must be RoHS compliant.**



### ORDERING INFORMATION:

P/N MJ 90 -  $\frac{x}{1}$   $\frac{x}{2}$   $\frac{x}{3}$  B

1. TYPE OF HOUSING:  
"90" WITH PANEL STOP (FLANGED)
2. NO. OF POSITIONS & CONTACTS:  
"88" 8P8C  
"84" 8P4C
3. CONTACT FINISH:  
"A" 6 MICROINCH GOLD  
"B" 15 MICROINCH GOLD  
"C" 30 MICROINCH GOLD  
"D" 50 MICROINCH GOLD

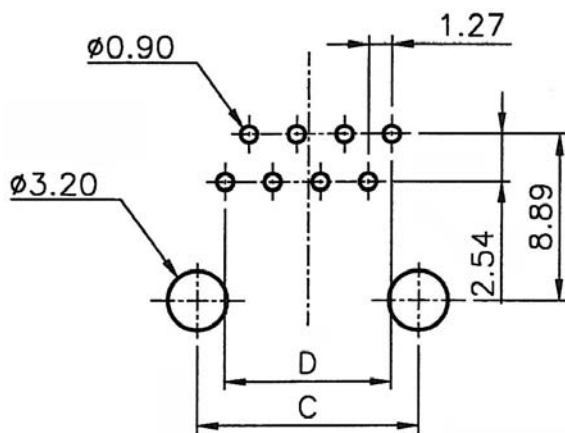
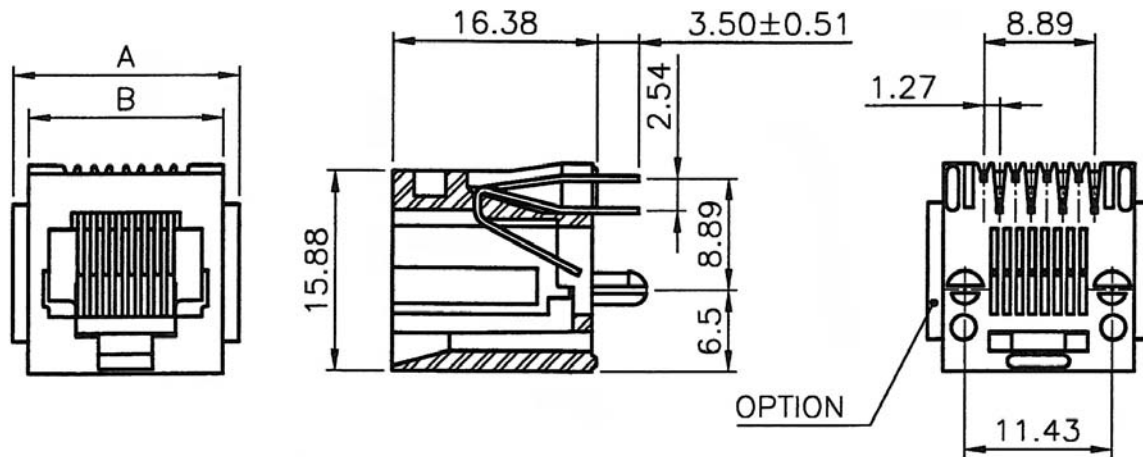
## TOP ENTRY MODULAR PCB JACK WITH SPLIT FOOT 4P+6P+8P PROFILE=16.38MM (UNSHIELDED)

### SPECIFICATIONS

**Insulation Resistance:** 500MΩ Min.  
**Contact Resistance:** 20mΩ Max.  
**Rating Current:** 1.5A Max.  
**Rating Voltage:** 120V AC.  
**Dielectric Voltage:** 1000 Vrms 60 Sec. Min.  
**Temperature Range:** -40°C / +85°C  
**Durability:** 500 Mating cycles Min.

### MATERIALS

**Housing:** PBT Glass Filled (UL 94V-0)  
**Soldering Temperature:** 235°C  
**Color:** Black  
**Spring Wire:** Phosphor Bronze  
 Gold plating Over Nickel  
**All materials must be RoHS compliant.**



Recommended P.C. Board Layout

No. of Positions	Dimensions			
	A	B	C	D
4	13.97	11.43	7.62	3.81
6	16.00	13.46	10.16	6.35
8	17.84	15.36	11.43	8.89

### ORDERING INFORMATION:

P/N M J  $\frac{x}{1} - \frac{x}{2} \frac{x}{3} B$

- PANEL STOP OPTION:
  - "90" WITH PANEL STOP
  - "49" W/O PANEL STOP
- NO. OF POSITIONS & CONTACTS:
  - "66" 6P6C
  - "64" 6P4C
  - "88" 8P8C
  - "44" 4P4C
- CONTACT FINISH:
  - "A" 6 MICROINCH GOLD
  - "B" 15 MICROINCH GOLD
  - "C" 30 MICROINCH GOLD
  - "D" 50 MICROINCH GOLD