

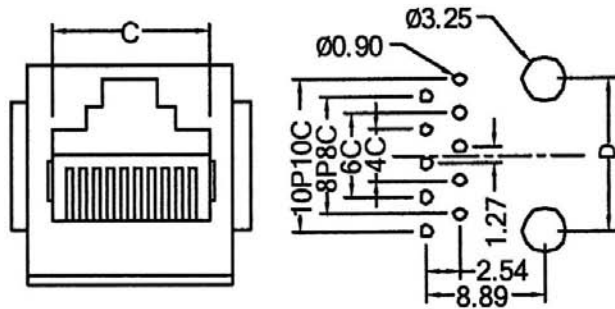
TOP ENTRY MODULAR PCB JACK 4P+6P+8P+10P PROFILE=16.40MM (UNSHIELDED)

SPECIFICATIONS

Insulation Resistance: 500MΩ Min.
Contact Resistance: 20mΩ Max.
Rating Current: 1.5A Max.
Rating Voltage: 120V AC.
Dielectric Voltage: 1000 Vrms 60 Sec. Min.
Temperature Range: -40°C / +85°C
Durability: 500 Mating cycles Min.

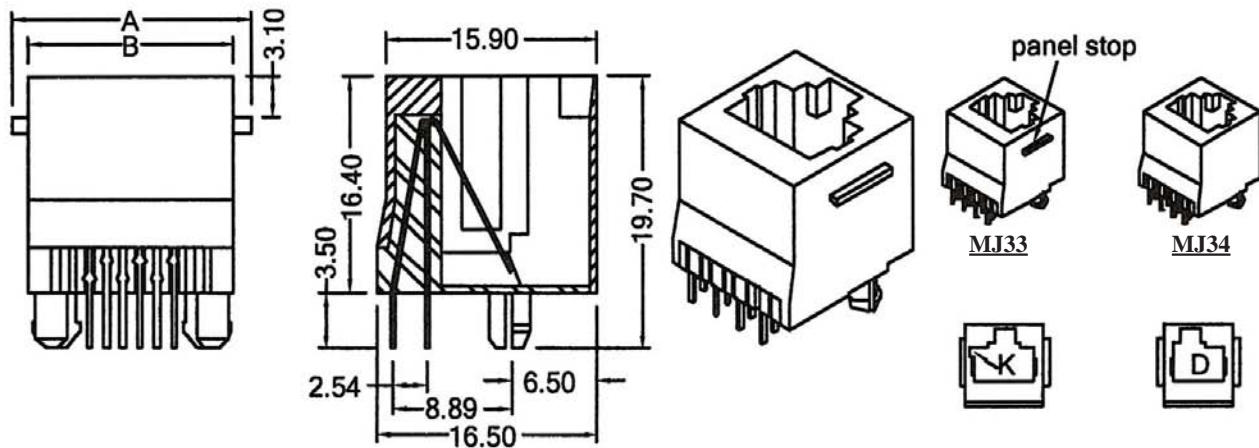
MATERIALS

Housing: PBT Glass Filled (UL 94V-0)
Soldering Temperature: 235°C
Color: Black
Spring Wire: Phosphor Bronze
 Gold plating Over Nickel
All materials must be RoHS compliant.



Recommended P.C.Board Layout (TOP VIEW)

No. of Positions	No. of Contacts	A	B	C	D
4P	4C	13.97	11.43	7.90	7.62
6P	2C/4C/6C	16.00	13.46	10.00	10.16
8P	4C/6C/8C	18.03	15.49	11.90	11.43
10P	10C	18.03	15.49	11.90	11.43



ORDERING INFORMATION:

P/N MJ $\frac{1}{xx}$ - $\frac{2}{xxx}$ B $\frac{3}{x}$

1. PANEL STOP OPTION:

"33" WITH PANEL STOP
 "34" W/O PANEL STOP

2. NO. OF POSITIONS & CONTACTS:

"66" 6P6C
 "64" 6P4C
 "88" 8P8C
 "84" 8P4C
 "00" 10P10C
 "44" 4P4C

3. CONTACT FINISH:

"A" 6 MICROINCH GOLD
 "B" 15 MICROINCH GOLD
 "C" 30 MICROINCH GOLD
 "D" 50 MICROINCH GOLD

4. KEYWAY & OFFSET OPTION:

" " W/O KEYWAY & W/O OFFSET LATCH
 "K" WITH KEYWAY (8P & 10P ONLY)
 "D" WITH OFFSET LATCH (6P ONLY)