

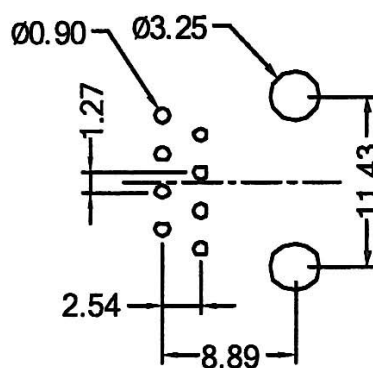
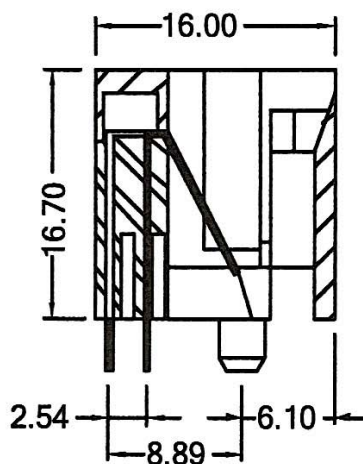
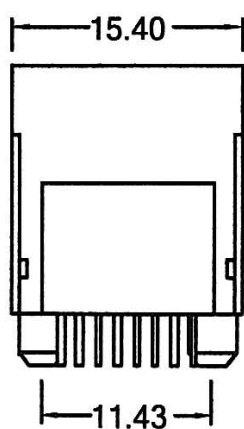
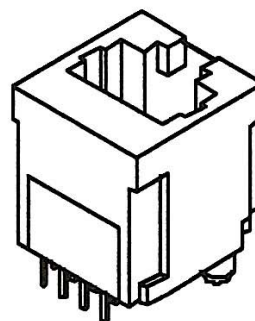
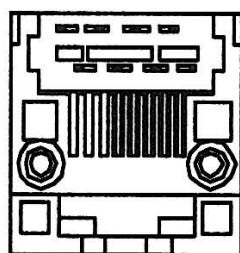
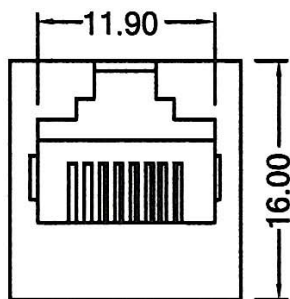
## TOP ENTRY MODULAR PCB JACK 8P PROFILE=16.70MM (UNSHIELDED)

### SPECIFICATIONS

**Insulation Resistance:** 500MΩ Min.  
**Contact Resistance:** 20mΩ Max.  
**Rating Current:** 1.5A Max.  
**Rating Voltage:** 120V AC.  
**Dielectric Voltage:** 1000 Vrms 60 Sec. Min.  
**Temperature Range:** -40°C / +85°C  
**Durability:** 500 Mating cycles Min.

### MATERIALS

**Housing:** PBT Glass Filled (UL 94V-0)  
**Soldering Temperature:** 235°C  
**Color:** Black  
**Spring Wire:** Phosphor Bronze  
 Gold plating Over Nickel  
**All materials must be RoHS compliant.**



Recommended P.C.Board Layout  
(TOP VIEW)

### ORDERING INFORMATION:

P/N MJ7W - 88 x B  
                  1 2

1. NO. OF POSITIONS & CONTACTS:  
"88" 8P8C
2. CONTACT FINISH:  
"A" 6 MICROINCH GOLD  
"B" 15 MICROINCH GOLD  
"C" 30 MICROINCH GOLD  
"D" 50 MICROINCH GOLD