

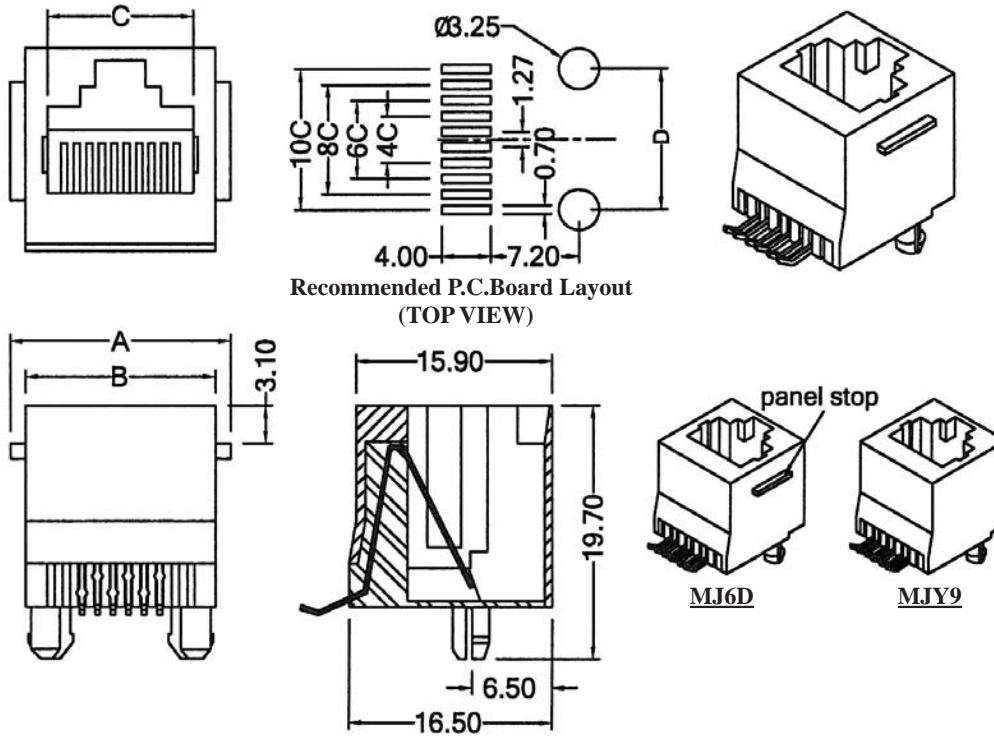
TOP ENTRY MODULAR SMT JACK 4P+6P+8P+10P PROFILE=15.70MM (UNSHIELDED)

SPECIFICATIONS

Insulation Resistance: 500MΩ Min.
Contact Resistance: 20mΩ Max.
Rating Current: 1.5A Max.
Rating Voltage: 120V AC.
Dielectric Voltage: 1000 Vrms 60 Sec. Min.
Temperature Range: -40°C / +85°C
Durability: 500 Mating cycles Min.

MATERIALS

Housing: Nylon (UL 94V-0)
Soldering Temperature: 260°C
Color: Black
Spring Wire: Phosphor Bronze
 Gold plating Over Nickel
All materials must be RoHS compliant.



No. of Positions	No. of Contacts	A	B	C	D
4P	4C	13.97	11.43	7.90	7.62
6P	2C/4C/6C	16.00	13.46	10.00	10.16
8P	4C/6C/8C	18.03	15.49	11.90	11.43
10P	10C	18.03	15.49	11.90	11.43

ORDERING INFORMATION:

P/N MJ $\frac{xx}{1}$ - $\frac{xxx}{2}$ $\frac{x}{3}$ B - $\frac{x}{4}$

1. PANEL STOP OPTION:

"6D" WITH PANEL STOP
 "Y9" W/O PANEL STOP

2. NO. OF POSITIONS & CONTACTS:

"44" 4P4C
 "64" 6P4C
 "66" 6P6C
 "88" 8P8C
 "00" 10P10C

3. CONTACT FINISH:

"A" 6 MICROINCH GOLD
 "B" 15 MICROINCH GOLD
 "C" 30 MICROINCH GOLD
 "D" 50 MICROINCH GOLD

4. PACKAGE OPTION:

" " TRAY
 "R" TAPE & REEL