

NOTE:

- 1.ELECTRICAL CHARACTERISTICS;
 - 1.1 CONTACT RESISTANCE: 40mΩ Max FOR INITIAL. 50mΩ CHANGE AFTER TEST. MEASURE AT 20mV, 100mA.
 - 1.2 CONTACT CURRENT RATING: 5A FOR VBUS PIN; 1.25A FOR VCONN PIN.
 - 1.3 DIELECTRIC WITHSTANDING VOLTAGE: 100V AC R.M.S.
 - 1.4 INSULATION RESISTANCE 100MΩ Min
 - 1.5 OPERATING TEMPERATURE: -40°C ~ 85°C
- 2.MECHANICAL CHARACTERISTICS:
 - 2.1 MATING FORCE: 5~20 N.
 - 2.2 UNMATED FORCE: 8~20N AFTER TEST
 - 2.3 DURABILITY: 10,000 CYCLES

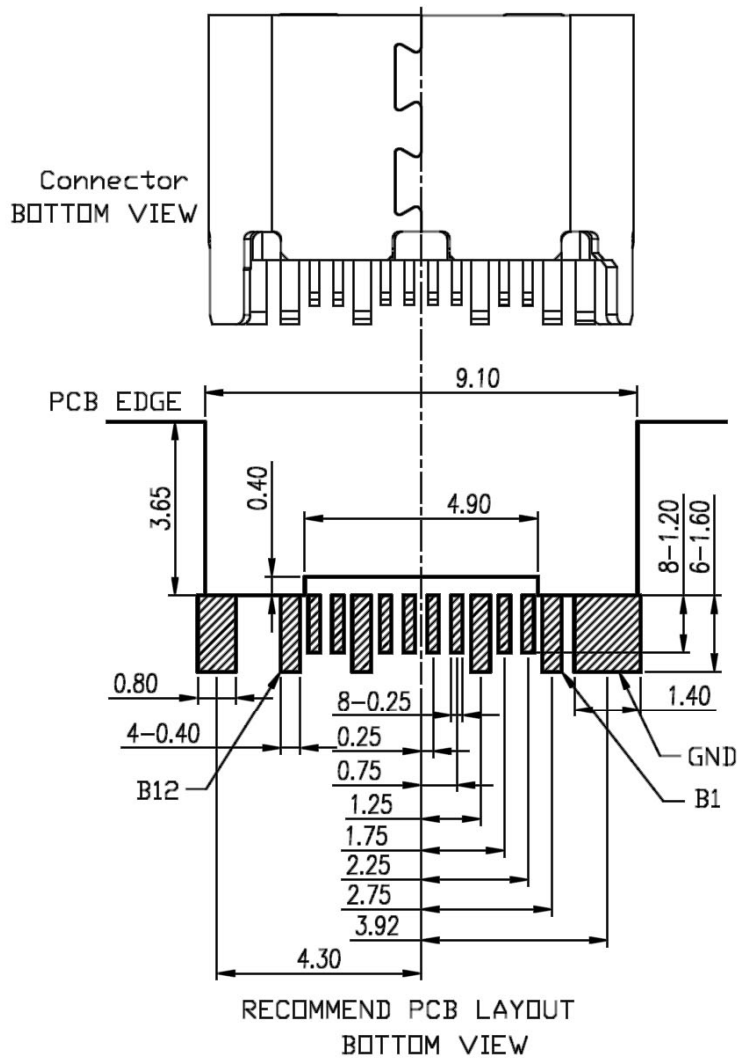
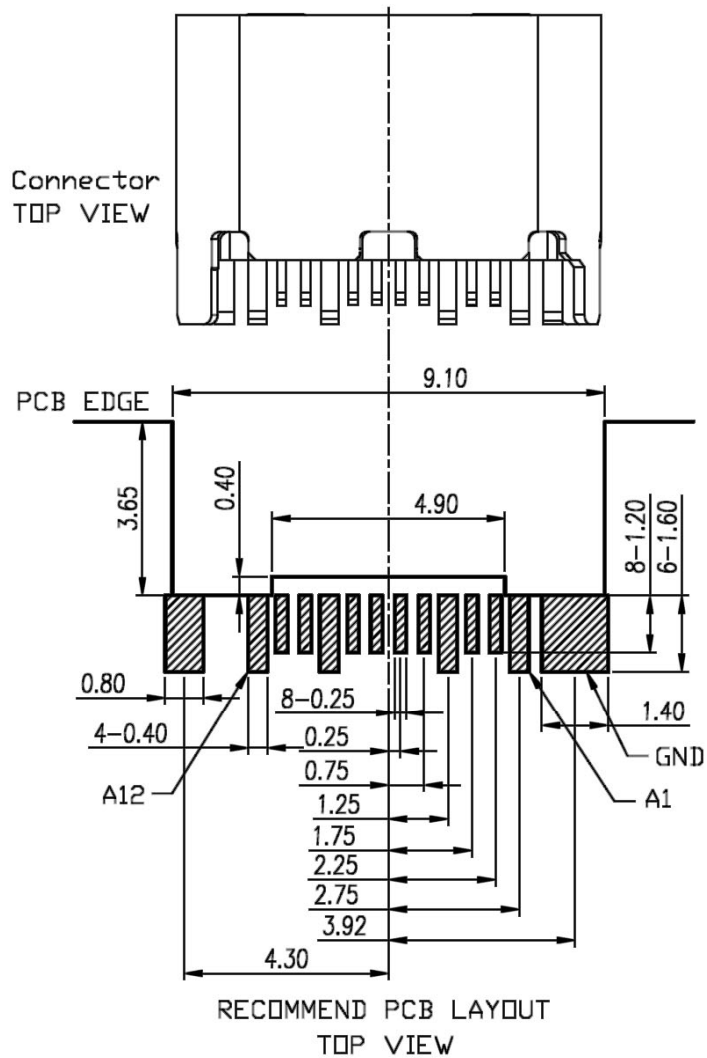
ORDERING INFORMATION:

P/N UC31A-24FB_{xx}_I

1. CONTACT FINISH:
 - “01” GOLD FLASH
 - “30” 30 MICROINCH GOLD

4	Shell	1	SUS	T=0.30mm	matte Tin Plated
3	Gnd plates	3	SUS	T=0.15mm	Solder area: matte Tin Plated
2	Contact	24	COPPER ALLOY	T=0.15mm	Contact area: 30u" PD/Ni+Gold Flash Solder area: 80u"min. matte Tin Plated over Nickel
1	Housing	3	THERMOPLASTIC	UL 94-V0	Black
No.	Name	Q'ty	Material	Remarks & Thickness	Finish

DIMENSIONS ARE IN MILLIMETERS		Ratioplast Electronics		RoHS COMPLIANT	
TOLERANCE UNLESS OTHERWISE SPECIFIED		PART NO.	UC31A-24FBxx(1/3)		TITLE: USB3.1 C TYPE 24 PIN FEMALE CONNECTOR STRADDLE TYPE PROFILE=6.50MM
LINEAR	0.0±0.25 0.00±0.15	DATE	October / 27 / 2015		
ANGLES	± 3	NOT SCALED DRAWING		DRAWING NO.	UC31A-24FBxx(1/3)



Pin Assignments

Pin No	Signal Name	Signal Name	Pin No
A1	GND	GND	B12
A2	TX1+	RX1+	B11
A3	TX1-	RX1-	B10
A4	Vbus	Vbus	B9
A5	CC1	SBU2	B8
A6	D+	D-	B7
A7	D-	D+	B6
A8	SBU1	CC2	B5
A9	Vbus	Vbus	B4
A10	RX2-	TX2-	B3
A11	RX2+	TX2+	B2
A12	GND	GND	B1

DIMENSIONS ARE IN MILLIMETERS

Ratioplast Electronics

RoHS COMPLIANT

TOLERANCE UNLESS OTHERWISE SPECIFIED

PART NO. UC31A-24FBxx(2/3)

TITLE: USB3.1 C TYPE 24 PIN FEMALE CONNECTOR
STRADDLE TYPE PROFILE=6.50MM

LINEAR

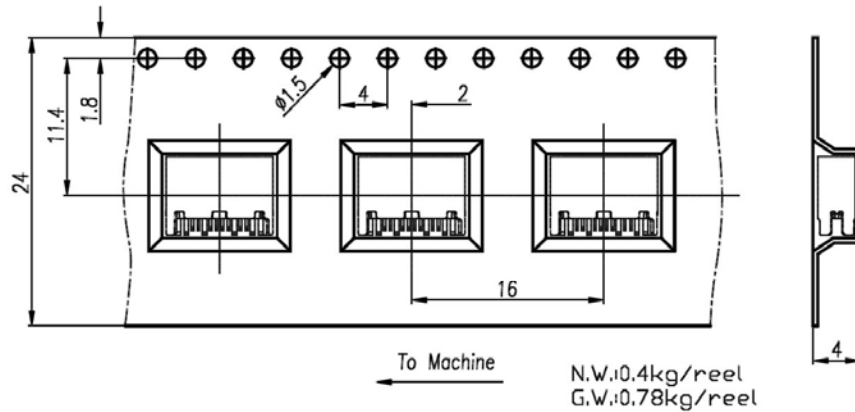
0.0±0.25
0.00±0.15

DATE October / 27 / 2015

ANGLES ± 3

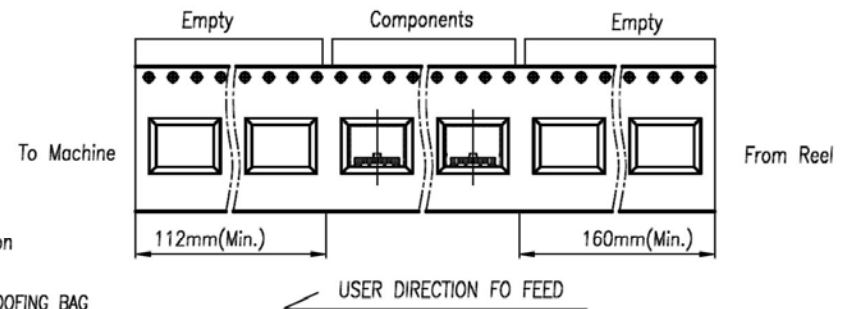
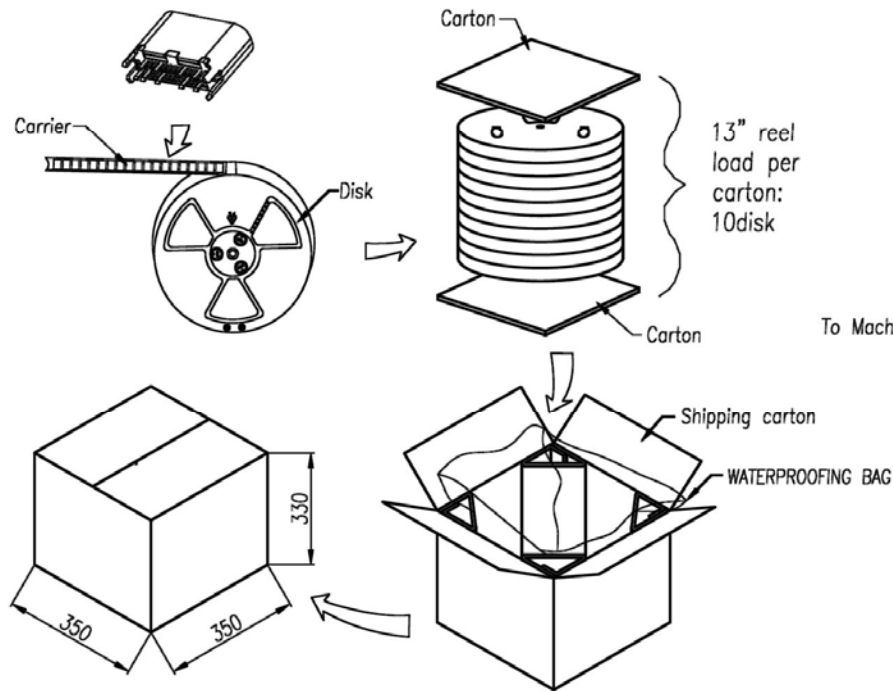
NOT SCALED DRAWING

DRAWING NO. UC31A-24FBxx(2/3)



NOTES:

1. Material:
 - 1.1 Carrier: Black Anti-Static Polystyrene.
 - 1.2 Shipping carton: corrugated fiberboard
 - 1.3 Waterproofing bag: PE
2. Dimension:
 - 2.1 Carrier: Thickness: 0.4 ± 0.05 mm.
 - 2.2 Disk: Diameter $\varnothing 330$ mm.
3. Quantity:
 - 3.1 Primary packing: 1000 PCS/Disk (16.3 meters).
 - 3.2 Secondary packing: 10 Disk (10000PCS).
4. Weight:
 - 4.1 Net weight: 4 Kg
 - 4.2 Gross weight: 8.9 Kg



DIMENSIONS ARE IN MILLIMETERS		Ratioplast Electronics		RoHS COMPLIANT	
TOLERANCE UNLESS OTHERWISE SPECIFIED		PART NO.	UC31A-24FBxx(3/3)	TITLE: USB3.1 C TYPE 24 PIN FEMALE CONNECTOR STRADDLE TYPE PROFILE=6.50MM	
LINEAR	0.0 \pm 0.25 0.00 \pm 0.15	DATE	October / 27 / 2015		
ANGLES	± 3	NOT SCALED DRAWING		DRAWING NO.	UC31A-24FBxx(3/3)