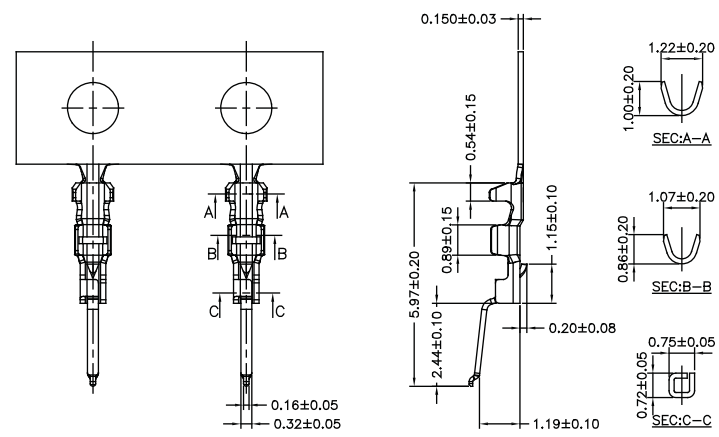


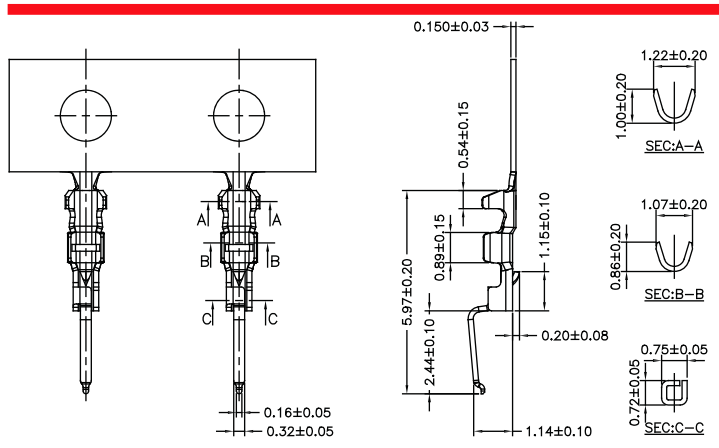


**0.5mm Terminal / Housing**



Part No.	Wire Range	Insulation O.D	Material	Finish
0505-T-B-L	AWG#30-#36	0.75mm(max)	Phosphor Bronze	Gold Plated

*Part No.:0505-T-A-L*

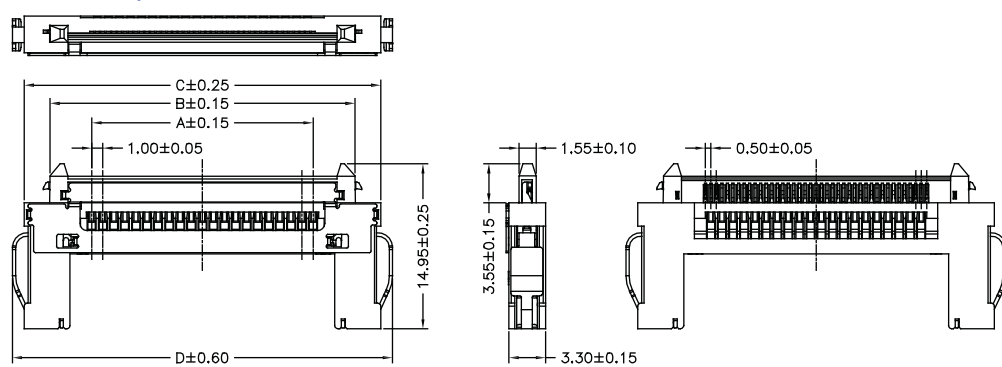


Part No.	Wire Range	Insulation O.D	Material	Finish
0505-T-B-L	AWG#30-#36	0.75mm(max)	Phosphor Bronze	Gold Plated

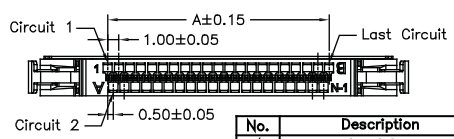
*Part No.:0505-T-B-L*

**Specifications**

- Current Rating: 0.7A AC,DC
- Voltage Rating: 100V AC,DC
- Temperature Range: -25°C to +85°C
- Contact Resistance: 50mΩ Max
- Insulation Resistance: 100MΩ Min
- Withstanding Voltage: 500V AC/minute
- Material:Nylon 46,UL94V-0



*Part No.:0505H-XXB-U*



No.	Description	Material	Color
1	Insulator	Nylon 46,UL94V-0	Natural(Black)
2	Ground plate	Stainless	---
3	Lock lever	Stainless	---

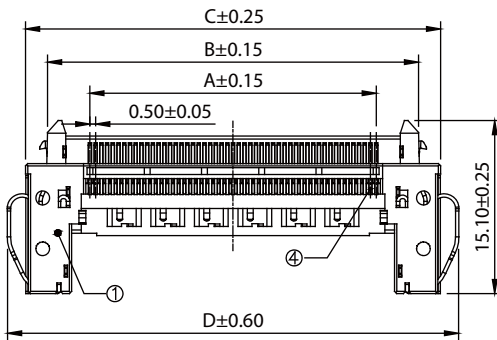
Part No.	Dimensions			
	A	B	C	D
0505H-21B-U	10.00	17.54	22.20	24.34
0505H-31B-U	15.00	22.54	27.20	29.34
0505H-41B-U	20.00	27.54	32.20	34.34
0505H-51B-U	25.00	32.54	37.20	39.34



## 0.5mm Housing / Wafer SMT R/A Type

### Specifications

Current Rating: 0.7A AC,DC  
 Voltage Rating: 100V AC,DC  
 Temperature Range: -25°C to +85°C  
 Contact Resistance: 50mΩ Max  
 Insulation Resistance: 100MΩ Min  
 Withstanding Voltage: 500V AC/minute  
 Material:LCP,UL94V-0



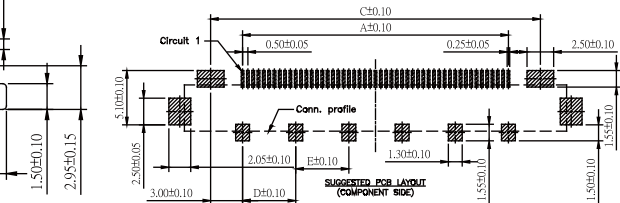
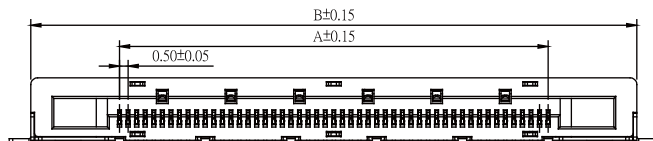
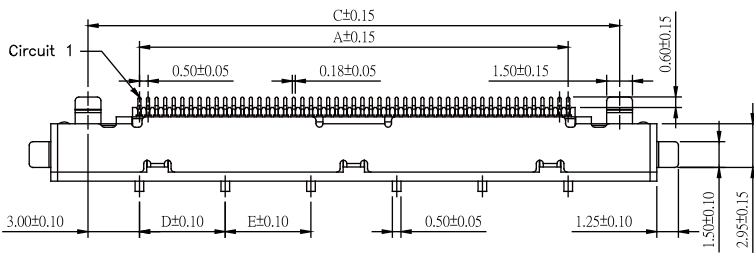
No.	Description	Material	Color
1	Insulator	LCP , UL94V-0	(Natural)Black
2	Ground plate	Phosphor Bronze / Tin plated	---
3	Lock lever	Stainless	---
4	Terminal	Phosphor Bronze / Gold plated on contact area ; Tin plated on solder area	---

Part No.	Dimensions			
	A	B	C	D
0505HA-21B-U	10.00	17.40	21.25	24.45
0505HA-31B-U	15.00	22.40	26.25	29.45
0505HA-41B-U	20.00	27.40	31.25	34.45
0505HA-51B-U	25.00	32.40	36.25	39.45

**Part No.:0505HA-XXB-U**

### Specifications

Current Rating: 0.7A AC,DC  
 Voltage Rating: 100V AC,DC  
 Temperature Range: -25°C to +85°C  
 Contact Resistance: 50mΩ Max  
 Insulation Resistance: 100MΩ Min  
 Withstanding Voltage: 500V AC/minute  
 Terminal: Phosphor Bronze/Gold Plated  
 Shell: Phosphor Bronze/Tin Plated  
 Material: LCP,UL94V-0



Part No.	Dimensions				
	A	B	C	D	D
0505MR-21B-U	10.00	20.35	16.00	3.00	---
0505MR-31B-U	15.00	25.35	21.00	4.00	---
0505MR-41B-U	20.00	30.35	26.00	4.00	4.00
0505MR-51B-U	25.00	35.35	31.00	5.00	5.00

**Part No.:0505MR-XXGB-U**