

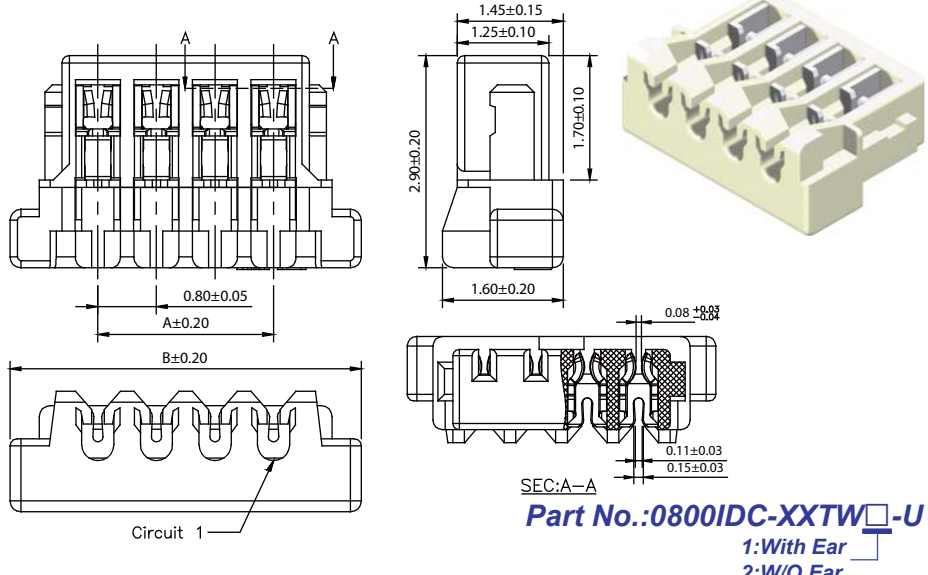


0.8mm Housing / Wafer SMT Straight & SMT R/A Type

Specifications

Current Rating: 0.5A AC,DC
 Voltage Rating: 30V AC,DC
 Temperature Range: -25°C to +85°C
 Contact Resistance: 20mΩ Max
 Insulation Resistance: 100MΩ Min
 Withstanding Voltage: 200V AC/minute
 Terminal: Phosphor Bronze / Tin Plated
 Material:Nylon 46,UL94V-0

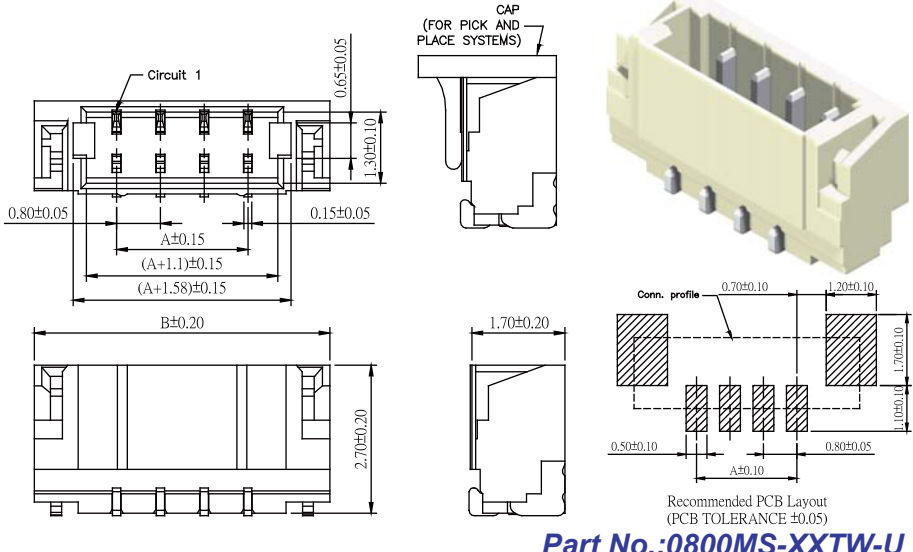
Part No.	Dimensions	
	A	B
0800IDC-02TW-U	0.80	3.20
0800IDC-03TW-U	1.60	4.00
0800IDC-04TW-U	2.40	4.80
0800IDC-05TW-U	3.20	5.60
0800IDC-06TW-U	4.00	6.40
0800IDC-07TW-U	4.80	7.20
0800IDC-08TW-U	5.60	8.00
0800IDC-10TW-U	7.20	9.60
0800IDC-12TW-U	8.80	11.20
0800IDC-14TW-U	10.40	12.80
0800IDC-15TW-U	11.20	13.60
0800IDC-16TW-U	12.00	14.40
0800IDC-17TW-U	12.80	15.20
0800IDC-20TW-U	15.20	17.60



Specifications

Current Rating: 0.5A AC,DC
 Voltage Rating: 30V AC,DC
 Temperature Range: -25°C to +85°C
 Contact Resistance: 20mΩ Max
 Insulation Resistance: 100MΩ Min
 Withstanding Voltage: 200V AC/minute
 Terminal: Phosphor Bronze / Tin Plated
 Solder Tabs: Phosphor Bronze / Tin Plated
 Material:Nylon 6T,UL94V-0

Part No.	Dimensions	
	A	B
0800MS-02TW-U	0.80	3.80
0800MS-04TW-U	2.40	5.40
0800MS-08TW-U	5.60	8.60
0800MS-10TW-U	7.20	10.20
0800MS-12TW-U	8.80	11.80
0800MS-14TW-U	10.40	13.40
0800MS-15TW-U	11.20	14.20
0800MS-16TW-U	12.00	15.00
0800MS-17TW-U	12.80	15.80
0800MS-20TW-U	15.20	18.20



Specifications

Current Rating: 0.5A AC,DC
 Voltage Rating: 30V AC,DC
 Temperature Range: -25°C to +85°C
 Contact Resistance: 20mΩ Max
 Insulation Resistance: 100MΩ Min
 Withstanding Voltage: 200V AC/minute
 Terminal: Phosphor Bronze / Tin Plated
 Solder Tabs: Phosphor Bronze / Tin Plated
 Material:Nylon 6T,UL94V-0

Part No.	Dimensions	
	A	B
0800MR-02TW-U	0.80	3.80
0800MR-04TW-U	2.40	5.40
0800MR-08TW-U	5.60	8.60
0800MR-10TW-U	7.20	10.20
0800MR-12TW-U	8.80	11.80
0800MR-14TW-U	10.40	13.40
0800MR-15TW-U	11.20	14.20
0800MR-16TW-U	12.00	15.00
0800MR-17TW-U	12.80	15.80
0800MR-20TW-U	15.20	18.20

