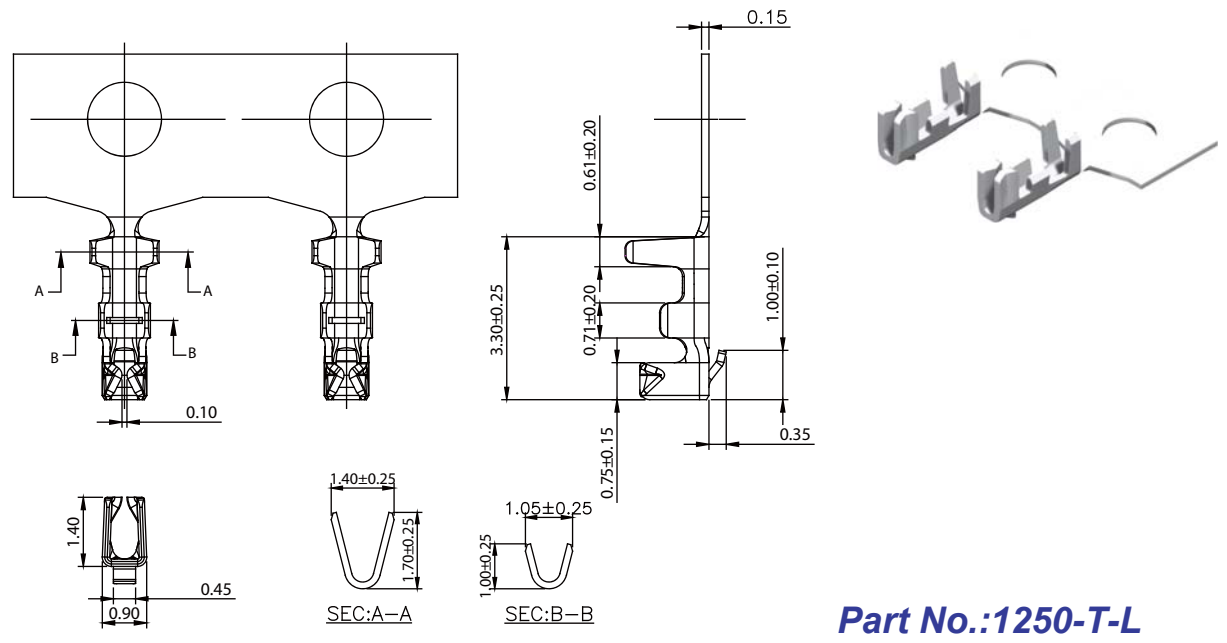




1.25mm Terminal / Housing

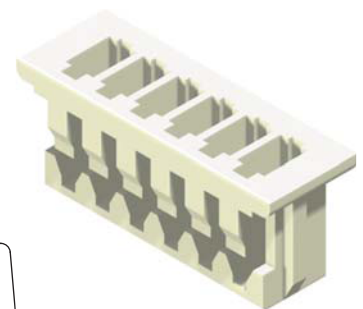


Part No.:1250-T-L

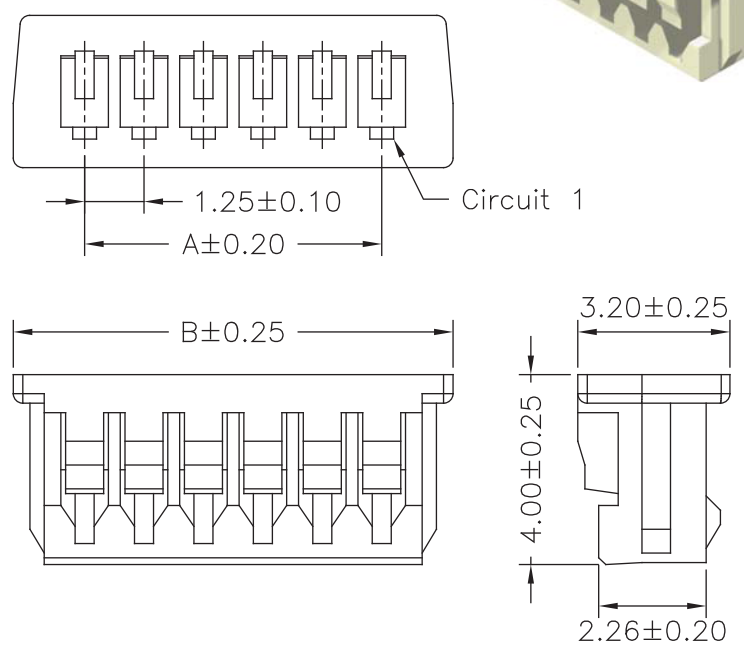
| Part No. | Wire Range | Insulation O.D. | Material | Finish |
|------------|------------|-----------------|-----------------|-------------|
| 1250-TTP-L | AWG#28-#32 | 1.00mm(max) | Phosphor Bronze | Tin Plated |
| 1250-TGP-L | AWG#28-#32 | 1.00mm(max) | Phosphor Bronze | Gold Plated |

Specifications

Current Rating: 1A AC,DC
 Voltage Rating: 125V AC,DC
 Temperature Range: -25°C to +85°C
 Contact Resistance: 20mΩ Max
 Insulation Resistance: 100MΩ Min
 Withstanding Voltage: 500V AC/minute
 Material:PBT,UL94V-0



| Part No. | Dimensions | |
|-------------|------------|-------|
| | A | B |
| 1250H-02W-L | 1.25 | 4.25 |
| 1250H-03W-L | 2.50 | 5.50 |
| 1250H-04W-L | 3.75 | 6.75 |
| 1250H-05W-L | 5.00 | 8.00 |
| 1250H-06W-L | 6.25 | 9.25 |
| 1250H-07W-L | 7.50 | 10.50 |
| 1250H-08W-L | 8.75 | 11.75 |
| 1250H-09W-L | 10.00 | 13.00 |
| 1250H-10W-L | 11.25 | 14.25 |
| 1250H-11W-L | 12.50 | 15.50 |
| 1250H-12W-L | 13.75 | 16.75 |
| 1250H-13W-L | 15.00 | 18.00 |
| 1250H-14W-L | 16.25 | 19.25 |
| 1250H-15W-L | 17.50 | 20.50 |
| 1250H-16W-L | 18.75 | 21.75 |
| 1250H-17W-L | 20.00 | 23.00 |
| 1250H-18W-L | 21.25 | 24.25 |



Part No.:1250H-XXW-L



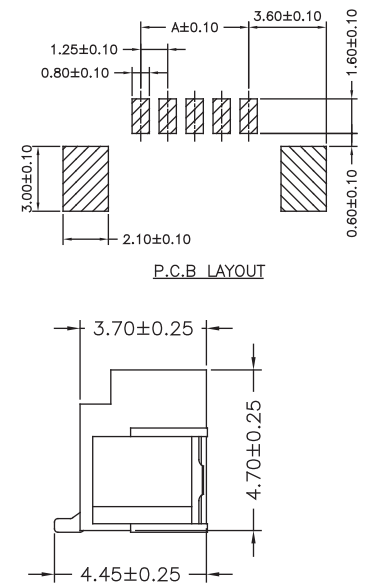
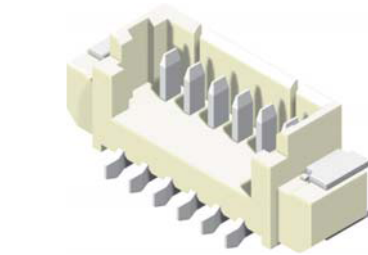
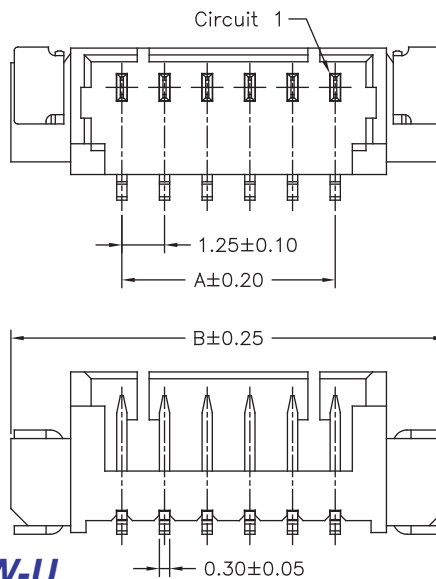
1.25mm Wafer SMT Straight & SMT R/A Type

Specifications

Current Rating: 1A AC,DC
 Voltage Rating: 125V AC,DC
 Temperature Range: -25°C to +85°C
 Contact Resistance: 20mΩ Max
 Insulation Resistance: 100MΩ Min
 Withstanding Voltage: 500V AC/minute
 Pin Material: Phosphor Bronze / Tin Plated
 Solder Tabs: Phosphor Bronze / Tin Plated
 Material:Nylon 6T,UL94V-0

| Part No. | Dimensions | |
|---------------|------------|-------|
| | A | B |
| 1250MS-02TW-U | 1.25 | 7.75 |
| 1250MS-03TW-U | 2.50 | 9.00 |
| 1250MS-04TW-U | 3.75 | 10.25 |
| 1250MS-05TW-U | 5.00 | 11.50 |
| 1250MS-06TW-U | 6.25 | 12.75 |
| 1250MS-07TW-U | 7.50 | 14.00 |
| 1250MS-08TW-U | 8.75 | 15.25 |
| 1250MS-09TW-U | 10.00 | 16.50 |
| 1250MS-10TW-U | 11.25 | 17.75 |
| 1250MS-11TW-U | 12.50 | 19.00 |
| 1250MS-12TW-U | 13.75 | 20.25 |
| 1250MS-13TW-U | 15.00 | 21.50 |
| 1250MS-14TW-U | 16.25 | 22.75 |
| 1250MS-15TW-U | 17.50 | 24.00 |
| 1250MS-16TW-U | 18.75 | 25.25 |
| 1250MS-17TW-U | 20.00 | 26.50 |
| 1250MS-18TW-U | 21.25 | 27.75 |

Part No.:1250MS-XXTW-U

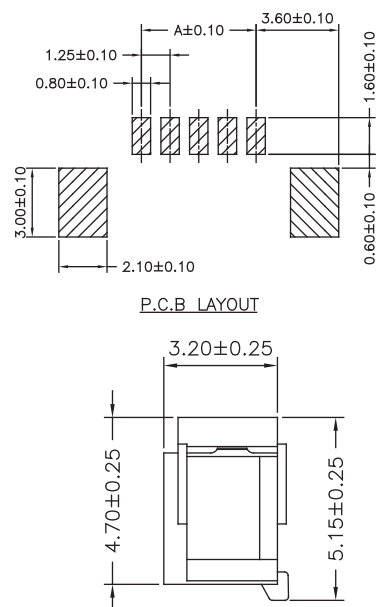
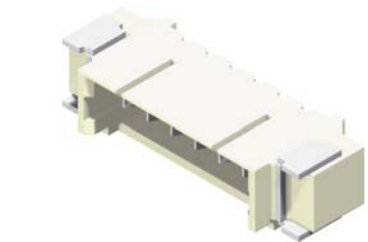
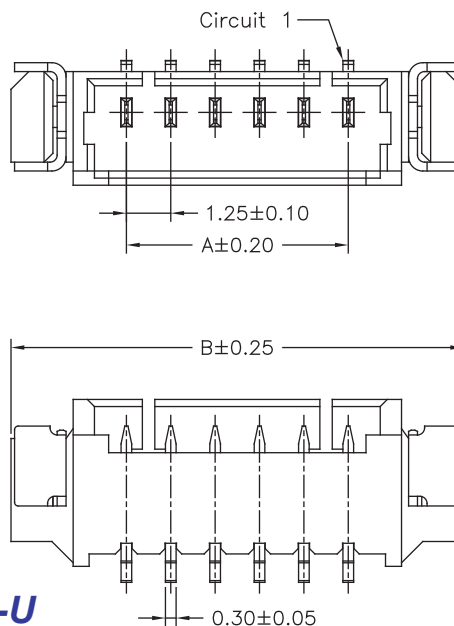


Specifications

Current Rating: 1A AC,DC
 Voltage Rating: 125V AC,DC
 Temperature Range: -25°C to +85°C
 Contact Resistance: 20mΩ Max
 Insulation Resistance: 100MΩ Min
 Withstanding Voltage: 500V AC/minute
 Terminal: Phosphor Bronze / Tin Plated
 Solder Tabs: Phosphor Bronze / Tin Plated
 Material:Nylon 6T,UL94V-0

| Part No. | Dimensions | |
|---------------|------------|-------|
| | A | B |
| 1250MR-02TW-U | 1.25 | 7.75 |
| 1250MR-03TW-U | 2.50 | 9.00 |
| 1250MR-04TW-U | 3.75 | 10.25 |
| 1250MR-05TW-U | 5.00 | 11.50 |
| 1250MR-06TW-U | 6.25 | 12.75 |
| 1250MR-07TW-U | 7.50 | 14.00 |
| 1250MR-08TW-U | 8.75 | 15.25 |
| 1250MR-09TW-U | 10.00 | 16.50 |
| 1250MR-10TW-U | 11.25 | 17.75 |
| 1250MR-11TW-U | 12.50 | 19.00 |
| 1250MR-12TW-U | 13.75 | 20.25 |
| 1250MR-13TW-U | 15.00 | 21.50 |
| 1250MR-14TW-U | 16.25 | 22.75 |
| 1250MR-15TW-U | 17.50 | 24.00 |
| 1250MR-16TW-U | 18.75 | 25.25 |
| 1250MR-17TW-U | 20.00 | 26.50 |
| 1250MR-18TW-U | 21.25 | 27.75 |

Part No.:1250MR-XXTW-U





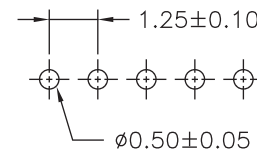
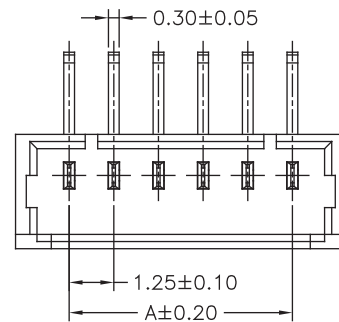
1.25mm Wafer Right Angle / Straight Type

Specifications

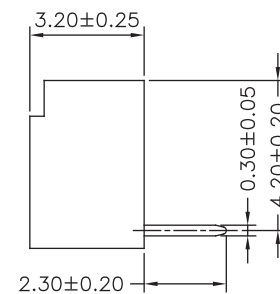
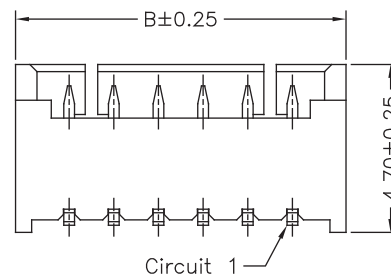
Current Rating: 1A AC,DC
 Voltage Rating: 125V AC,DC
 Temperature Range: -25°C to +85°C
 Contact Resistance: 20mΩ Max
 Insulation Resistance: 100MΩ Min
 Withstanding Voltage: 500V AC/minute
 Terminal: Phosphor Bronze / Tin Plated
 Material:Nylon 6T,UL94V-0

| Part No. | Dimensions | |
|--------------|------------|-------|
| | A | B |
| 1250R-02TW-U | 1.25 | 4.25 |
| 1250R-03TW-U | 2.50 | 5.50 |
| 1250R-04TW-U | 3.75 | 6.75 |
| 1250R-05TW-U | 5.00 | 8.00 |
| 1250R-06TW-U | 6.25 | 9.25 |
| 1250R-07TW-U | 7.50 | 10.50 |
| 1250R-08TW-U | 8.75 | 11.75 |
| 1250R-09TW-U | 10.00 | 13.00 |
| 1250R-10TW-U | 11.25 | 14.25 |
| 1250R-11TW-U | 12.50 | 15.50 |
| 1250R-12TW-U | 13.75 | 16.75 |
| 1250R-13TW-U | 15.00 | 18.00 |
| 1250R-14TW-U | 16.25 | 19.25 |
| 1250R-15TW-U | 17.50 | 20.50 |
| 1250R-16TW-U | 18.75 | 21.75 |
| 1250R-17TW-U | 20.00 | 23.00 |
| 1250R-18TW-U | 21.25 | 24.25 |

Part No.:1250R-XXTW-U



P.C.B LAYOUT

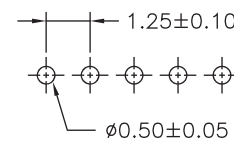
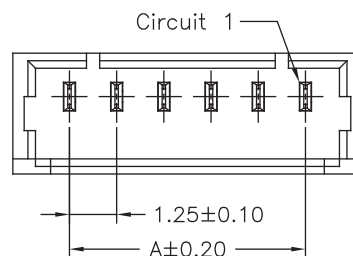


Specifications

Current Rating: 1A AC,DC
 Voltage Rating: 125V AC,DC
 Temperature Range: -25°C to +85°C
 Contact Resistance: 20mΩ Max
 Insulation Resistance: 100MΩ Min
 Withstanding Voltage: 500V AC/minute
 Terminal: Phosphor Bronze / Tin Plated
 Material:Nylon 6T,UL94V-0

| Part No. | Dimensions | |
|--------------|------------|-------|
| | A | B |
| 1250S-02TW-U | 1.25 | 4.25 |
| 1250S-03TW-U | 2.50 | 5.50 |
| 1250S-04TW-U | 3.75 | 6.75 |
| 1250S-05TW-U | 5.00 | 8.00 |
| 1250S-06TW-U | 6.25 | 9.25 |
| 1250S-07TW-U | 7.50 | 10.50 |
| 1250S-08TW-U | 8.75 | 11.75 |
| 1250S-09TW-U | 10.00 | 13.00 |
| 1250S-10TW-U | 11.25 | 14.25 |
| 1250S-11TW-U | 12.50 | 15.50 |
| 1250S-12TW-U | 13.75 | 16.75 |
| 1250S-13TW-U | 15.00 | 18.00 |
| 1250S-14TW-U | 16.25 | 19.25 |
| 1250S-15TW-U | 17.50 | 20.50 |
| 1250S-16TW-U | 18.75 | 21.75 |
| 1250S-17TW-U | 20.00 | 23.00 |
| 1250S-18TW-U | 21.25 | 24.25 |

Part No.:1250S-XXTW-U



P.C.B LAYOUT

