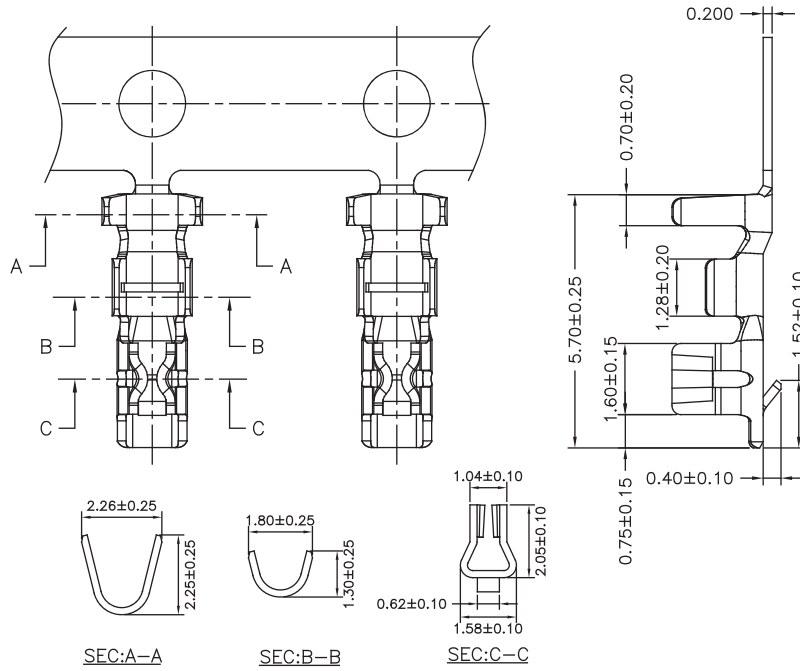




2.0mm Terminal / Housing



Part No.:2003-T-L

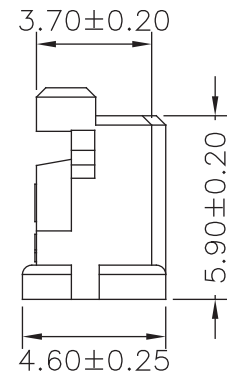
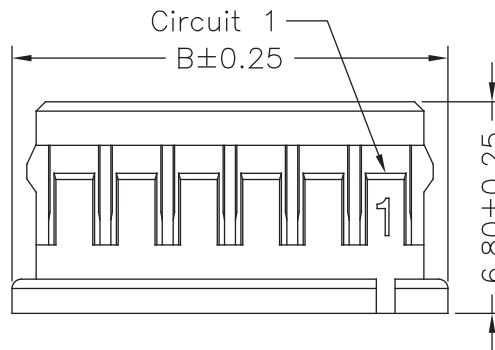
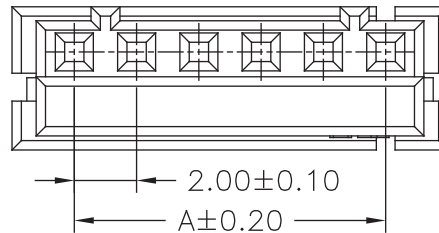
Part No.	Wire Range	Insulation O.D.	Material	Finish
2003-TTP-L	AWG#22-#28	1.45mm(max)	Phosphor Bronze	Tin Plated

Specifications

Current Rating: 3A AC,DC
 Voltage Rating: 250V AC,DC
 Temperature Range: -25°C to +85°C
 Contact Resistance: 30mΩ Max
 Insulation Resistance: 1000MΩ Min
 Withstanding Voltage: 650V AC/minute
 Material:Nylon 66,UL94V-0



Part No.	Dimensions	
	A	B
2003H-02B-L	2.00	6.00
2003H-03B-L	4.00	8.00
2003H-04B-L	6.00	10.00
2003H-05B-L	8.00	12.00
2003H-06B-L	10.00	14.00
2003H-07B-L	12.00	16.00
2003H-08B-L	14.00	18.00
2003H-09B-L	16.00	20.00
2003H-10B-L	18.00	22.00
2003H-11B-L	20.00	24.00
2003H-12B-L	22.00	26.00
2003H-13B-L	24.00	28.00
2003H-14B-L	26.00	30.00
2003H-15B-L	28.00	32.00



Part No.:2003H-XXB-L



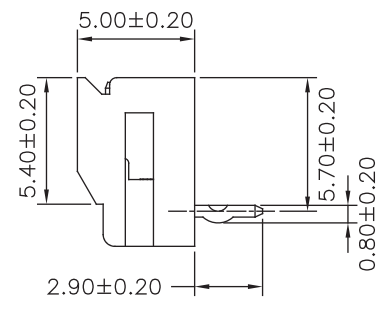
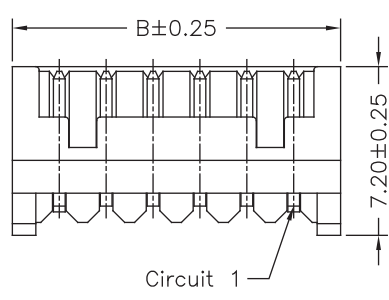
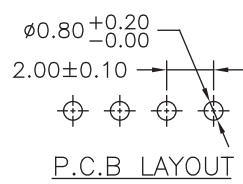
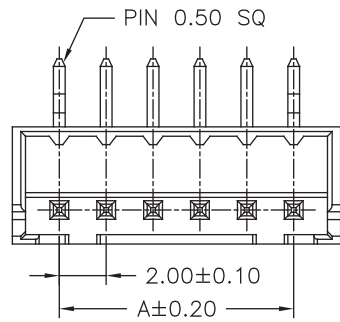
2.0mm Wafer Right Angle / Straight Type

Specifications

Current Rating: 3A AC,DC
 Voltage Rating: 250V AC,DC
 Temperature Range: -25°C to +85°C
 Contact Resistance: 30mΩ Max
 Insulation Resistance: 1000MΩ Min
 Withstanding Voltage: 650V AC/minute
 Terminal: Brass / Gold Plated
 Material:Nylon 6T,UL94V-0



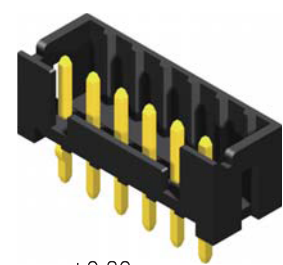
Part No.	Dimensions	
	A	B
2003R-02GB-L	2.00	6.00
2003R-03GB-L	4.00	8.00
2003R-04GB-L	6.00	10.00
2003R-05GB-L	8.00	12.00
2003R-06GB-L	10.00	14.00
2003R-07GB-L	12.00	16.00
2003R-08GB-L	14.00	18.00
2003R-09GB-L	16.00	20.00
2003R-10GB-L	18.00	22.00
2003R-11GB-L	20.00	24.00
2003R-12GB-L	22.00	26.00
2003R-13GB-L	24.00	28.00
2003R-14GB-L	26.00	30.00
2003R-15GB-L	28.00	32.00



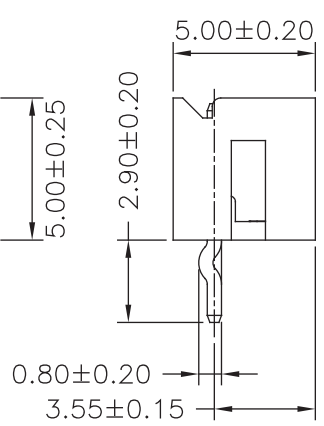
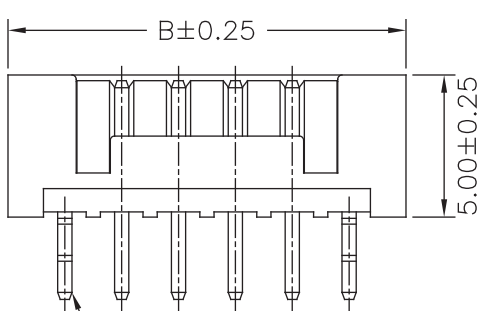
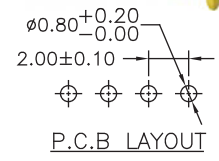
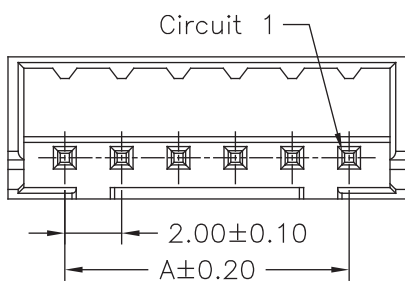
Part No.:2003R-XXGB-U

Specifications

Current Rating: 3A AC,DC
 Voltage Rating: 250V AC,DC
 Temperature Range: -25°C to +85°C
 Contact Resistance: 30mΩ Max
 Insulation Resistance: 1000MΩ Min
 Withstanding Voltage: 650V AC/minute
 Terminal: Brass / Gold Plated
 Material:Nylon 6T,UL94V-0



Part No.	Dimensions	
	A	B
2003S-02GB-L	2.00	6.00
2003S-03GB-L	4.00	8.00
2003S-04GB-L	6.00	10.00
2003S-05GB-L	8.00	12.00
2003S-06GB-L	10.00	14.00
2003S-07GB-L	12.00	16.00
2003S-08GB-L	14.00	18.00
2003S-09GB-L	16.00	20.00
2003S-10GB-L	18.00	22.00
2003S-11GB-L	20.00	24.00
2003S-12GB-L	22.00	26.00
2003S-13GB-L	24.00	28.00
2003S-14GB-L	26.00	30.00
2003S-15GB-L	28.00	32.00



Part No.:2003S-XXGB-U