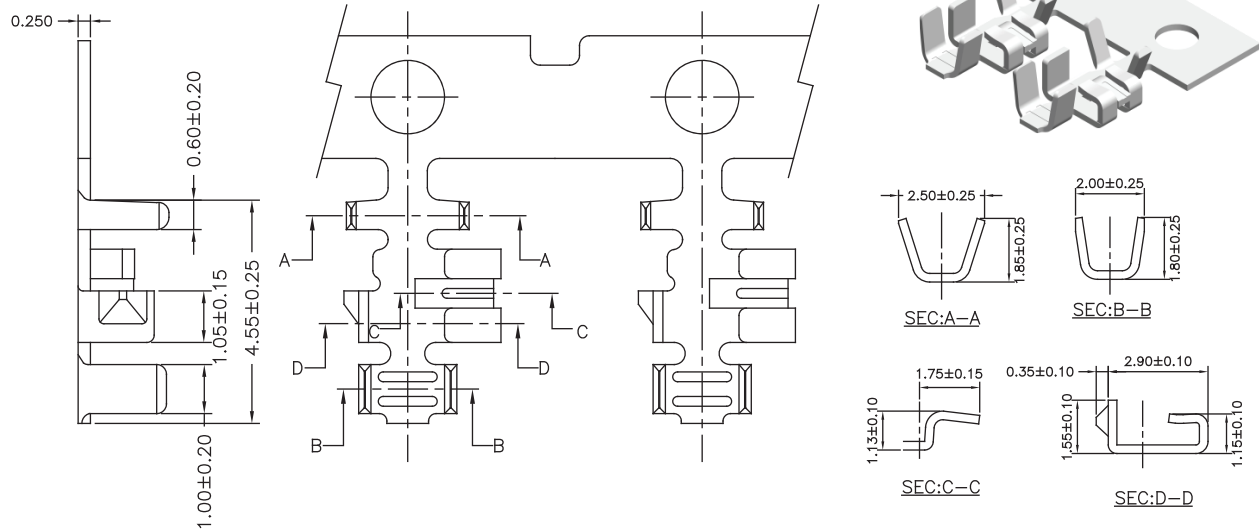




2.0mm Terminal / Housing



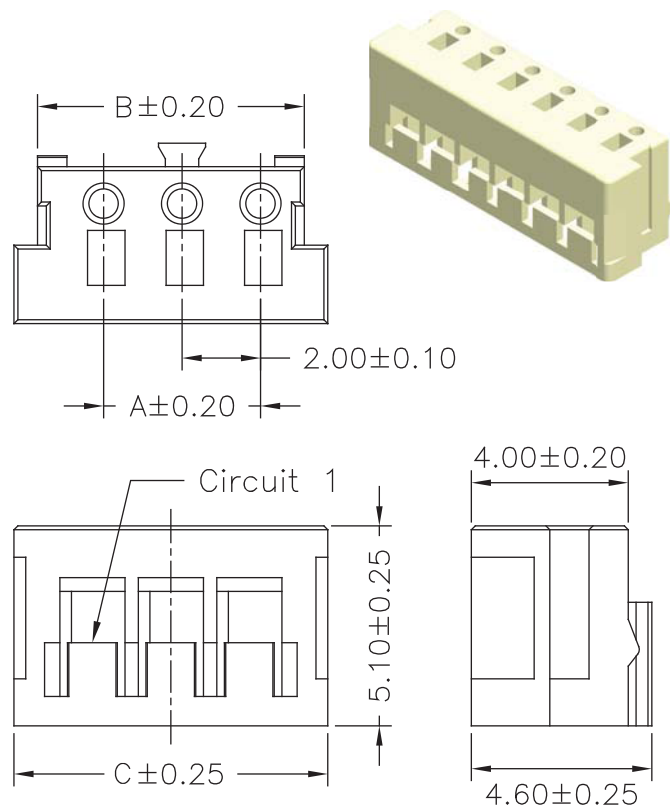
Part No.:2006-T-L

Wire Range	Insulation O.D.	Material	Finish
AWG#22-#26	1.50mm(max)	Phosphor Bronze	Tin Plated

Specifications

Current Rating: 4A AC,DC
 Voltage Rating: 125V AC,DC
 Temperature Range: -25°C to +85°C
 Contact Resistance: 10mΩ Max
 Insulation Resistance: 1000MΩ Min
 Withstanding Voltage: 1000V AC/minute
 Material:Nylon 66,UL94V-0

Part No.	Dimensions		
	A	B	C
2006H-02W-L	2.00	4.80	6.00
2006H-03W-L	4.00	6.80	8.00
2006H-04W-L	6.00	8.80	10.00
2006H-05W-L	8.00	10.80	12.00
2006H-06W-L	10.00	12.80	14.00
2006H-07W-L	12.00	14.80	16.00
2006H-08W-L	14.00	16.80	18.00
2006H-09W-L	16.00	18.80	20.00
2006H-10W-L	18.00	20.80	22.00
2006H-11W-L	20.00	22.80	24.00
2006H-12W-L	22.00	24.80	26.00
2006H-13W-L	24.00	26.80	28.00
2006H-14W-L	26.00	28.80	30.00
2006H-15W-L	28.00	30.80	32.00



Part No.:2006H-XXW-L

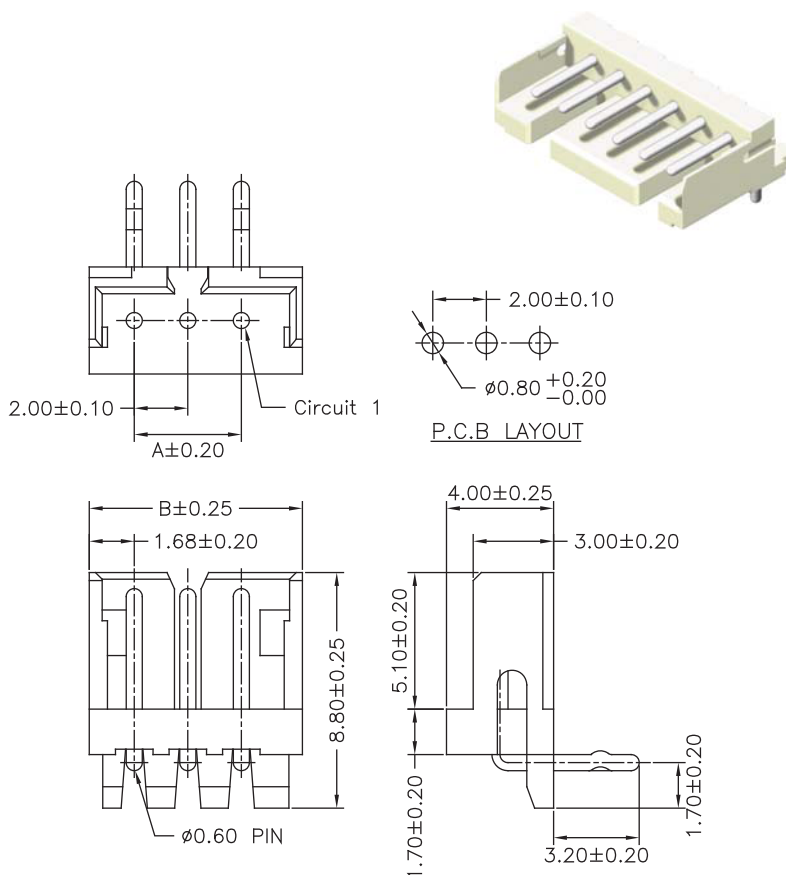


2.0mm Wafer Right Angle / Straight Type

Specifications

Current Rating: 4A AC,DC
 Voltage Rating: 125V AC,DC
 Temperature Range: -25°C to +85°C
 Contact Resistance: 10mΩ Max
 Insulation Resistance: 1000MΩ Min
 Withstanding Voltage: 1000V AC/minute
 Terminal: Brass / Tin Plated
 Material:Nylon 66,UL94V-0

Part No.	Dimensions	
	A	B
2006R-02TW-L	2.00	5.96
2006R-03TW-L	4.00	7.96
2006R-04TW-L	6.00	9.96
2006R-05TW-L	8.00	11.96
2006R-06TW-L	10.00	13.96
2006R-07TW-L	12.00	15.96
2006R-08TW-L	14.00	17.96
2006R-09TW-L	16.00	19.96
2006R-10TW-L	18.00	21.96
2006R-11TW-L	20.00	23.96
2006R-12TW-L	22.00	25.96
2006R-13TW-L	24.00	27.96
2006R-14TW-L	26.00	29.96
2006R-15TW-L	28.00	31.96

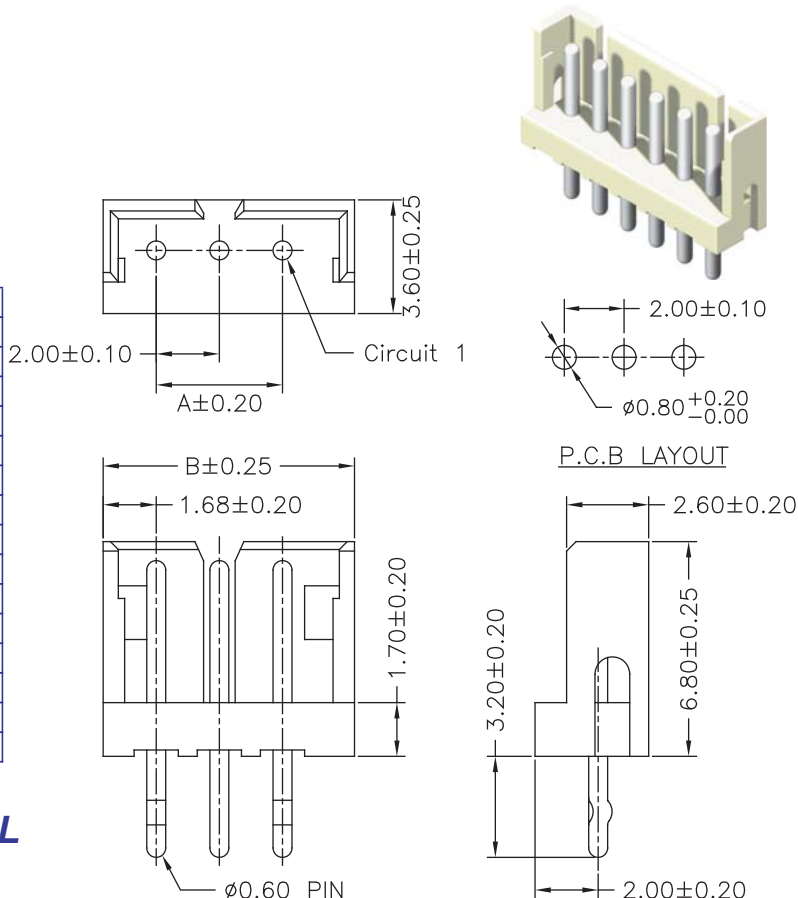


Part No.:2006R-XXTW-L

Specifications

Current Rating: 4A AC,DC
 Voltage Rating: 125V AC,DC
 Temperature Range: -25°C to +85°C
 Contact Resistance: 10mΩ Max
 Insulation Resistance: 1000MΩ Min
 Withstanding Voltage: 1000V AC/minute
 Terminal: Brass / Tin Plated
 Material:Nylon 66,UL94V-0

Part No.	Dimensions	
	A	B
2006S-02TW-L	2.00	5.96
2006S-03TW-L	4.00	7.96
2006S-04TW-L	6.00	9.96
2006S-05TW-L	8.00	11.96
2006S-06TW-L	10.00	13.96
2006S-07TW-L	12.00	15.96
2006S-08TW-L	14.00	17.96
2006S-09TW-L	16.00	19.96
2006S-10TW-L	18.00	21.96
2006S-11TW-L	20.00	23.96
2006S-12TW-L	22.00	25.96
2006S-13TW-L	24.00	27.96
2006S-14TW-L	26.00	29.96
2006S-15TW-L	28.00	31.96



Part No.:2006S-XXTW-L