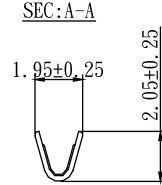
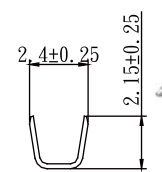
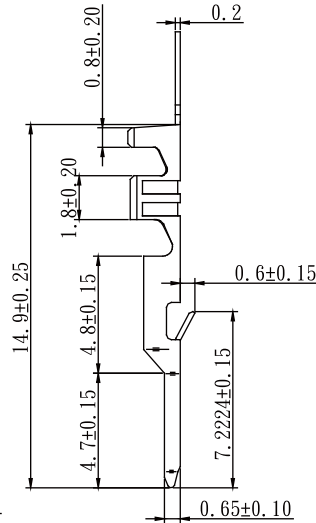
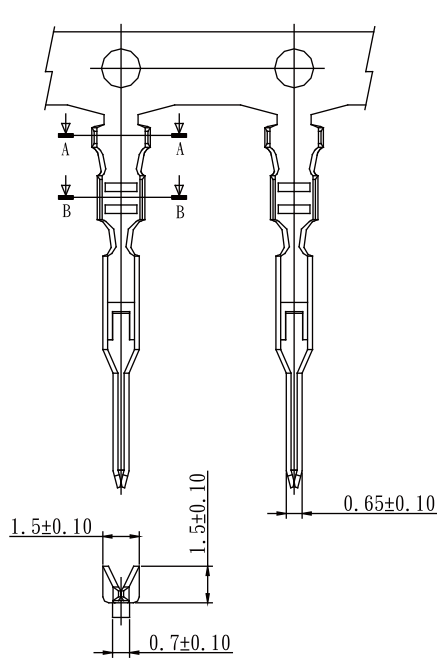




**2.5mm Terminal / Housing**

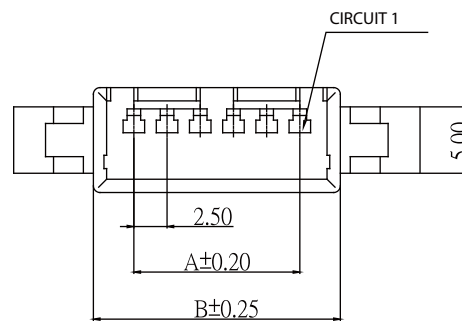


**Part No.:2509-MT-L**

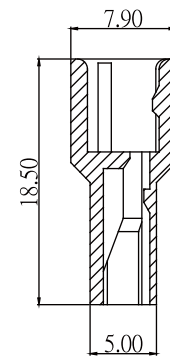
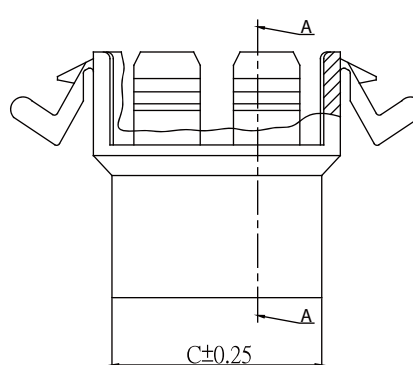
Part No	Wire Range	Insulation O. D.	Material	Finish
2509-MTB-L	AWG#22-#28	1.90mm(max)	Brass	Tin Plated
2509-MTP-L	AWG#22-#28	1.90mm(max)	Phosphor Bronze	Tin Plated

**Specifications**

Current Rating: 3A AC,DC  
 Voltage Rating: 250V AC,DC  
 Temperature Range: -25°C to +85°C  
 Contact Resistance: 20mΩ Max  
 Insulation Resistance: 1000MΩ Min  
 Withstanding Voltage: 1000V AC/minute  
 Material: Nylon 66,UL94V-0



Part No.	Dimensions		
	A	B	C
2509H-M02W-L	2.50	8.60	5.80
2509H-M03W-L	5.00	11.10	8.30
2509H-M04W-L	7.50	13.60	10.80
2509H-M05W-L	10.00	16.10	13.30
2509H-M06W-L	12.50	18.60	15.80
2509H-M07W-L	15.00	21.10	18.30
2509H-M08W-L	17.50	23.60	20.80
2509H-M09W-L	20.00	26.10	23.30
2509H-M10W-L	22.50	28.60	25.80
2509H-M11W-L	25.00	31.10	28.30
2509H-M12W-L	27.50	33.60	30.80

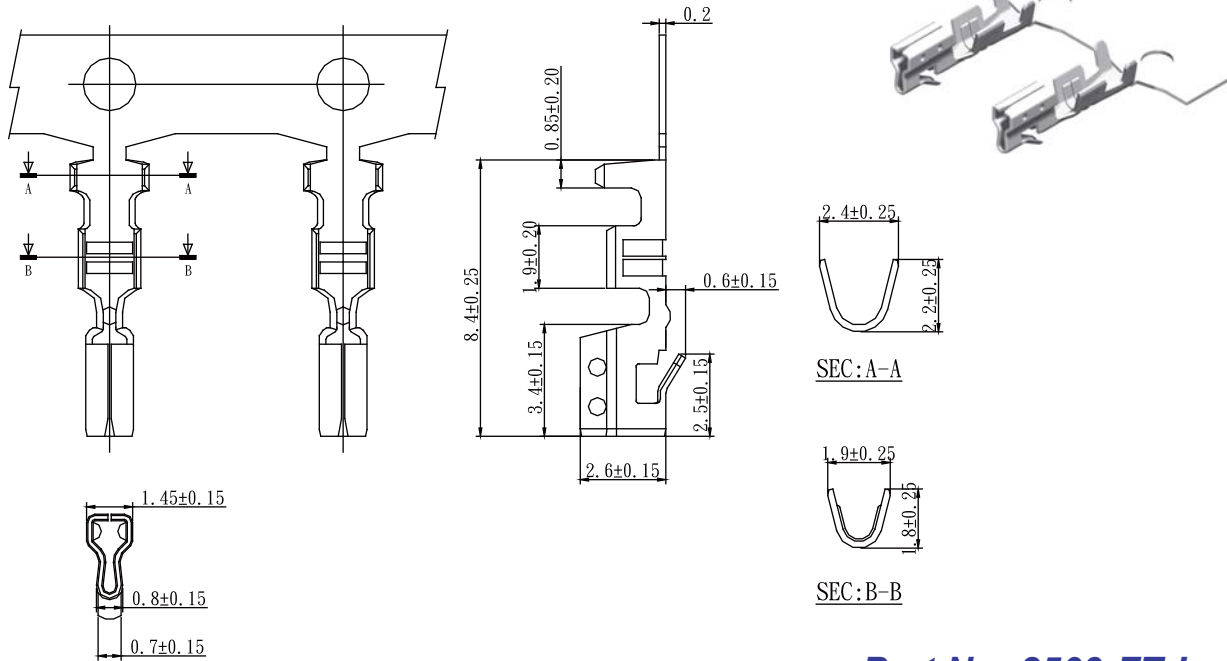


SEC:A-A

**Part No.:2509H-MXXW-L**



**2.5mm Wafer Right Angle / Straight Type**

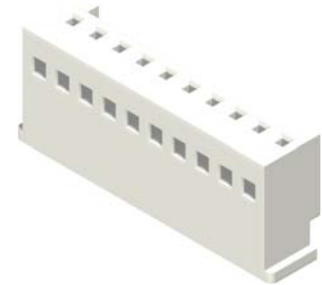
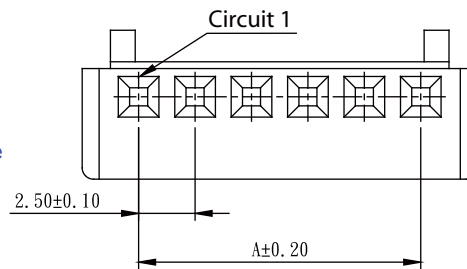


**Part No.:2509-FT-L**

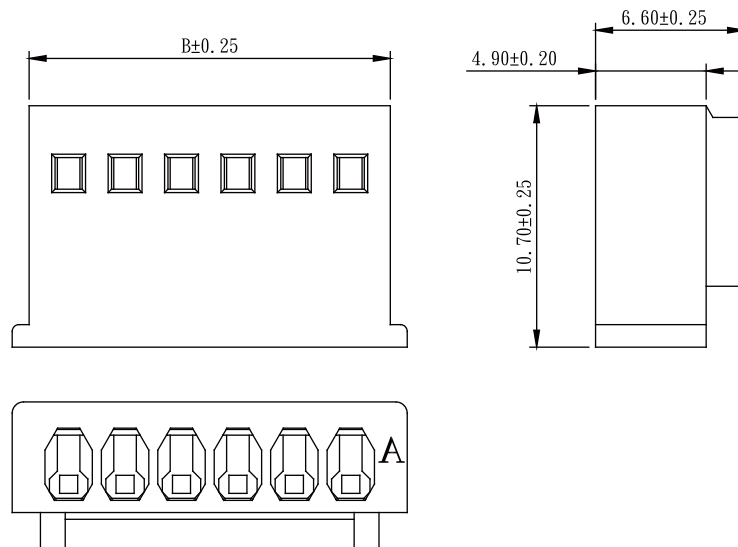
Part No	Wire Range	Insulation O. D.	Material	Finish
2509-FTB-L	AWG#22-#28	1.90mm(max)	Brass	Tin Plated
2509-FTP-L	AWG#22-#28	1.90mm(max)	Phosphor Bronze	Tin Plated

**Specifications**

Current Rating: 3A AC,DC  
 Voltage Rating: 250V AC,DC  
 Temperature Range: -25°C to +85°C  
 Contact Resistance: 20mΩ Max  
 Insulation Resistance: 1000MΩ Min  
 Withstanding Voltage: 1000V AC/minute  
 Material: Nylon 66,UL94V-0



Part No.	Dimensions	
	A	B
2509H-F02W-L	2.50	6.00
2509H-F03W-L	5.00	8.50
2509H-F04W-L	7.50	11.00
2509H-F05W-L	10.00	13.50
2509H-F06W-L	12.50	16.00
2509H-F07W-L	15.00	18.50
2509H-F08W-L	17.50	21.00
2509H-F09W-L	20.00	23.50
2509H-F10W-L	22.50	26.00
2509H-F11W-L	25.00	28.50
2509H-F12W-L	27.50	31.00



**Part No.:2509H-FXXW-L**