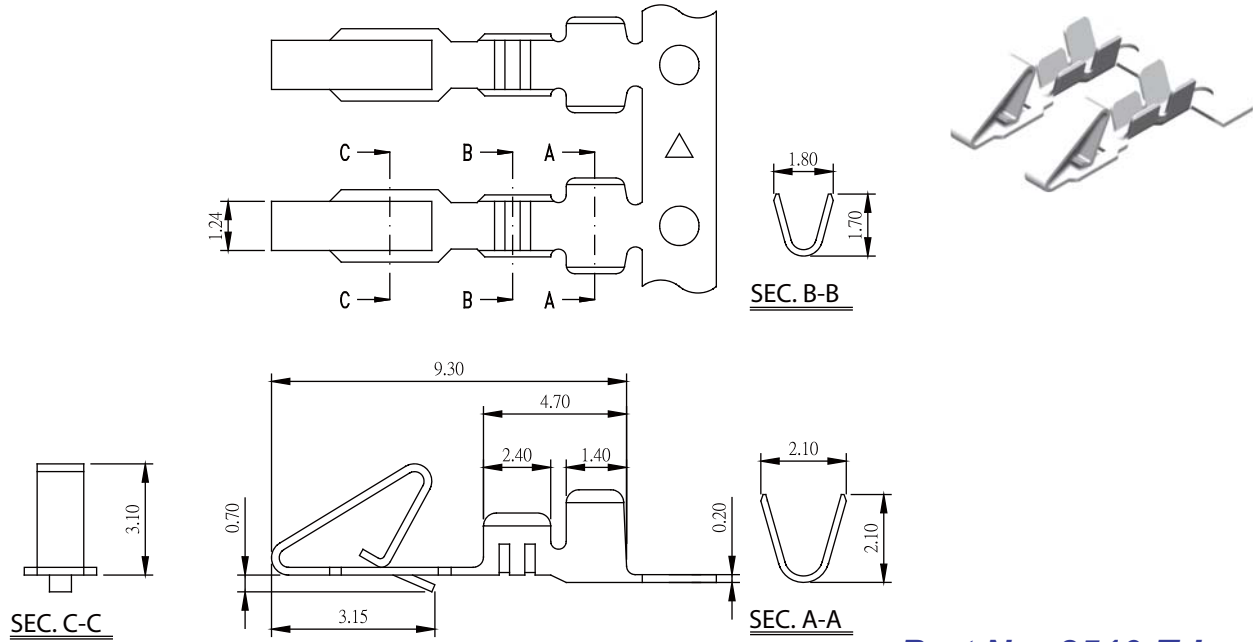




**2.5mm Terminal / Housing**



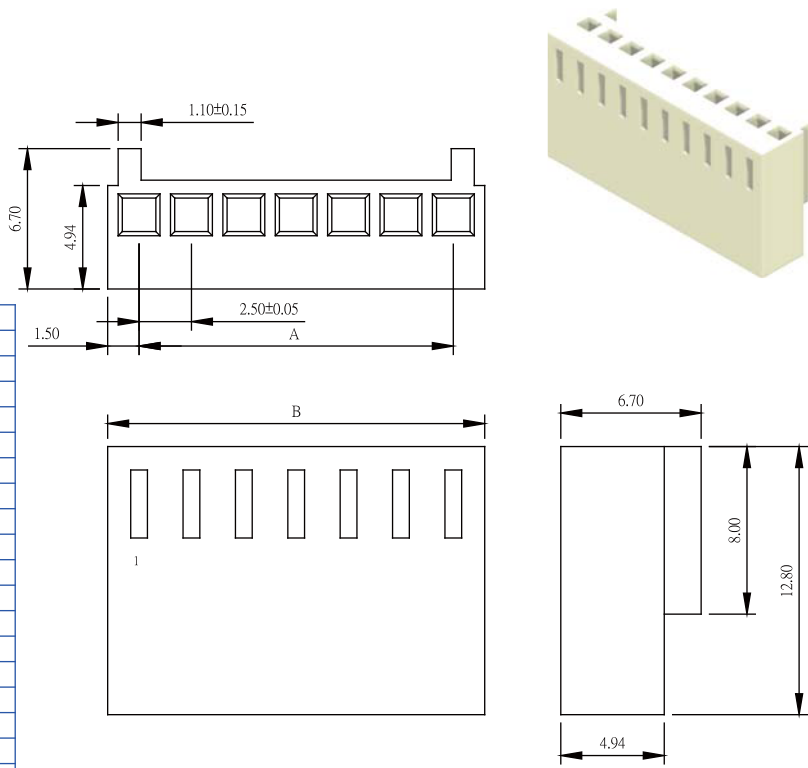
**Part No.:2510-T-L**

Part No.	Wire Range	Material	Finish
2510-TTP-L	AWG#22-#28	Phosphor Bronze	Tin-plated
2510-TGP-L	AWG#22-#28	Phosphor Bronze	Gold-plated
2510-TTB-L	AWG#22-#28	Brass	Tin-plated
2510-TGB-L	AWG#22-#28	Brass	Gold-plated

**Specifications**

Current Rating: 3A AC,DC  
 Voltage Rating: 250V AC,DC  
 Temperature Range: -40°C to +105°C  
 Contact Resistance: 20mΩ Max  
 Insulation Resistance: 1000MΩ Min  
 Withstanding Voltage: 1500V AC/minute  
 Material: Nylon 66,UL94V-0

Part No.	A	B
2510H-02W-L	2.50±0.08	5.50
2510H-03W-L	5.00±0.10	8.00
2510H-04W-L	7.50±0.10	10.50
2510H-05W-L	10.00±0.10	13.00
2510H-06W-L	12.50±0.10	15.50
2510H-07W-L	15.00±0.15	18.00
2510H-08W-L	17.50±0.15	20.50
2510H-09W-L	20.00±0.15	23.00
2510H-10W-L	22.50±0.15	25.50
2510H-11W-L	25.00±0.15	28.00
2510H-12W-L	27.50±0.20	30.50
2510H-13W-L	30.00±0.20	33.00
2510H-14W-L	32.50±0.20	35.50
2510H-15W-L	35.00±0.25	38.00
2510H-16W-L	37.50±0.25	40.50
2510H-17W-L	40.00±0.30	43.00
2510H-18W-L	42.50±0.30	45.50
2510H-19W-L	45.00±0.30	48.00
2510H-20W-L	47.50±0.35	50.50



**Part No.:2510H-XXW-L**

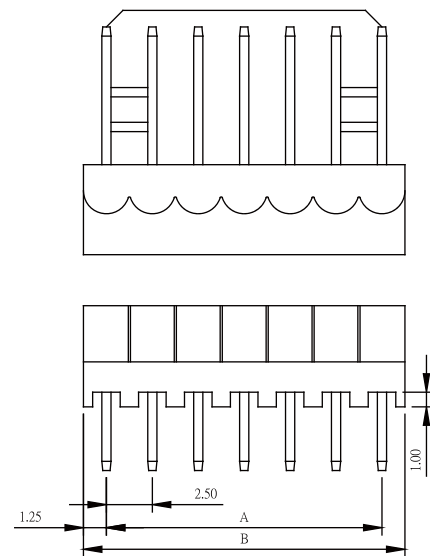
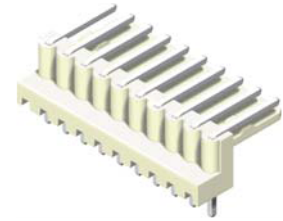
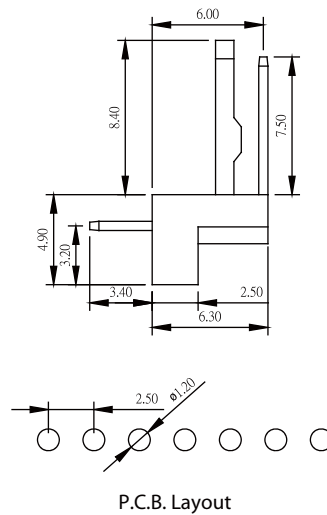


## 2.5mm Wafer Right Angle / Straight Type

### Specifications

Current Rating: 3A AC,DC  
 Voltage Rating: 250V AC,DC  
 Temperature Range: -40°C to +105°C  
 Contact Resistance: 20mΩ Max  
 Insulation Resistance: 1000MΩ Min  
 Withstanding Voltage: 1500V AC/minute  
 Material: P.B.T,UL94V-0  
 Terminal:Brass/Tin Plated

Part No.	Dim.A	Dim.B
2510R-02TW-L	2.50	5.00
2510R-03TW-L	5.00	7.50
2510R-04TW-L	7.50	10.00
2510R-05TW-L	10.00	12.50
2510R-06TW-L	12.50	15.00
2510R-07TW-L	15.00	17.50
2510R-08TW-L	17.50	20.00
2510R-09TW-L	20.00	22.50
2510R-10TW-L	22.50	25.00
2510R-11TW-L	25.00	27.50
2510R-12TW-L	27.50	30.00
2510R-13TW-L	30.00	32.50
2510R-14TW-L	32.50	35.00
2510R-15TW-L	35.00	37.50
2510R-16TW-L	37.50	40.00
2510R-17TW-L	40.00	42.50
2510R-18TW-L	42.50	45.00
2510R-19TW-L	45.00	47.50
2510R-20TW-L	47.50	50.00

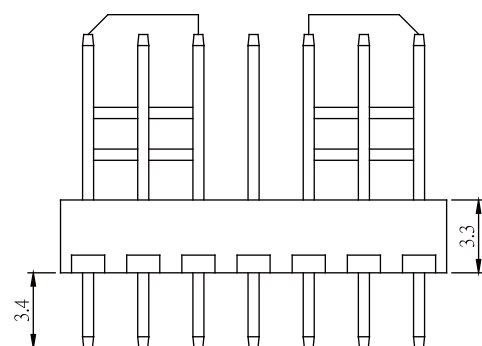
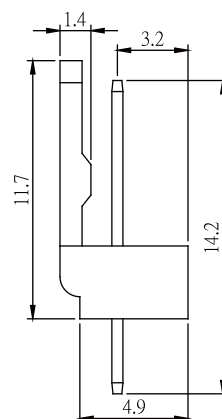
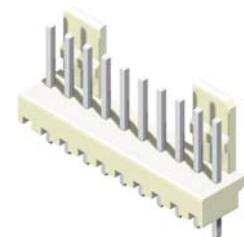
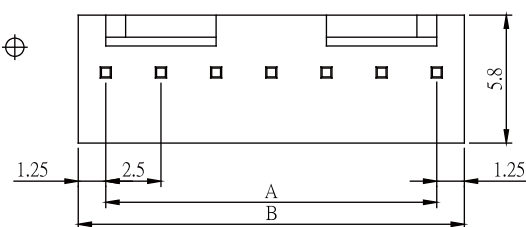
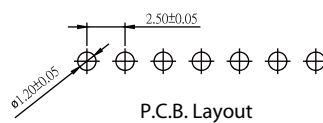


**Part No.:2510R-XXTW-L**

### Specifications

Current Rating: 3A AC,DC  
 Voltage Rating: 250V AC,DC  
 Temperature Range: -40°C to +105°C  
 Contact Resistance: 20mΩ Max  
 Insulation Resistance: 1000MΩ Min  
 Withstanding Voltage: 1500V AC/minute  
 Material: P.B.T,UL94V-0  
 Terminal:Brass/Tin Plated

Part No.	Dim.A	Dim.B
2510S-02TW-L	2.50	5.00
2510S-03TW-L	5.00	7.50
2510S-04TW-L	7.50	10.00
2510S-05TW-L	10.00	12.50
2510S-06TW-L	12.50	15.00
2510S-07TW-L	15.00	17.50
2510S-08TW-L	17.50	20.00
2510S-09TW-L	20.00	22.50
2510S-10TW-L	22.50	25.00
2510S-11TW-L	25.00	27.50
2510S-12TW-L	27.50	30.00
2510S-13TW-L	30.00	32.50
2510S-14TW-L	32.50	35.00
2510S-15TW-L	35.00	37.50
2510S-16TW-L	37.50	40.00
2510S-17TW-L	40.00	42.50
2510S-18TW-L	42.50	45.00
2510S-19TW-L	45.00	47.50
2510S-20TW-L	47.50	50.00



**Part No.:2510S-XXTW-L**