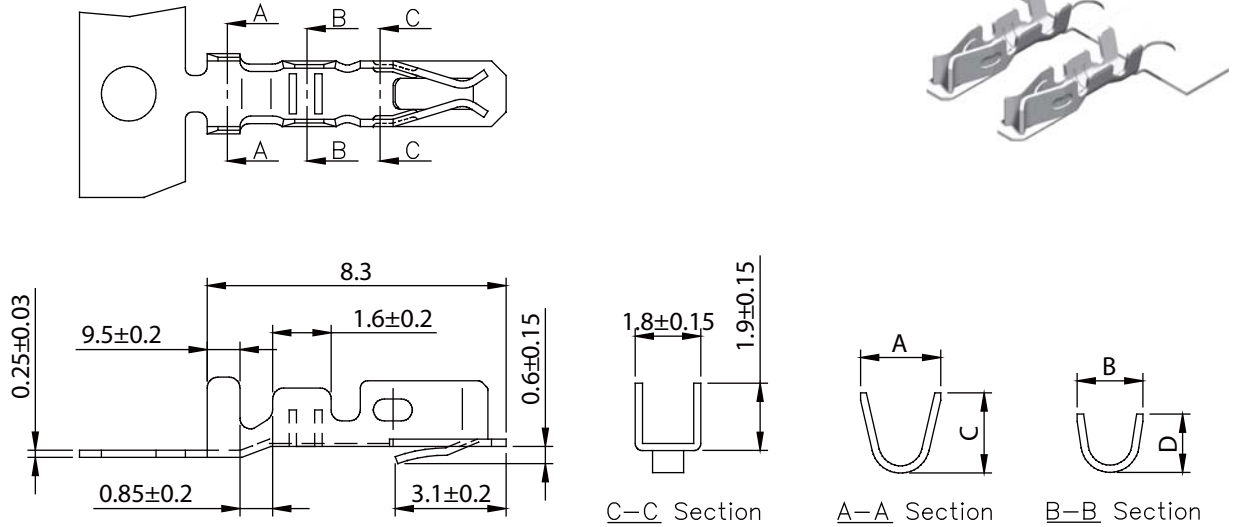




**2.5mm Terminal / Housing**

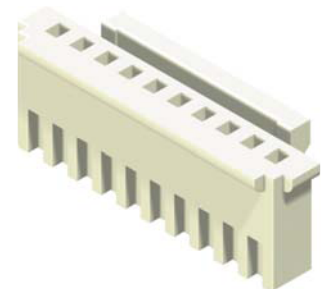
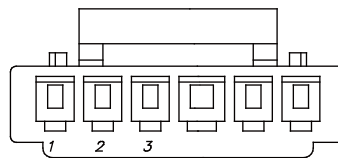


**Part No.:2517-T-L**

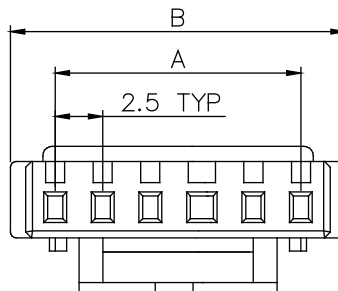
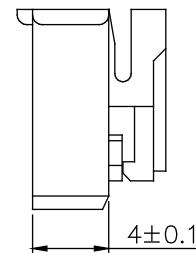
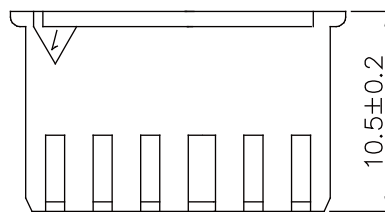
Part No.	Wire Range	Insulation O.D	Material	Finish	A	B	C	D
2517-T-L	AWG#22-#26	1.7~1.35mm(max)	Phosphor Bronze	Gold Plated	2.30	1.9	2.25	1.65
2517-T-A-L	AWG#28-#30	1.2~1.05mm(max)	Phosphor Bronze	Gold Plated	2.05	1.4	2.05	1.30

**Specifications**

Current Rating: 3A AC,DC  
 Voltage Rating: 250V AC,DC  
 Temperature Range: -25°C to +85°C  
 Contact Resistance: 00mΩ Max  
 Insulation Resistance: 500M Ω Min  
 Withstanding Voltage: 1500V AC/minute  
 Material: Nylon 66,UL94V-0



Part No.	Dimensions	
	A	B
2517H-02W-L	2.50	7.10
2517H-03W-L	5.00	9.60
2517H-04W-L	7.50	12.10
2517H-05W-L	10.00	14.60
2517H-06W-L	12.50	17.10
2517H-07W-L	15.00	19.60
2517H-08W-L	17.50	22.10
2517H-09W-L	20.00	24.60
2517H-10W-L	22.50	27.10
2517H-11W-L	25.00	29.60
2517H-12W-L	27.50	32.10
2517H-13W-L	30.00	34.60
2517H-14W-L	32.50	37.10
2517H-15W-L	35.00	39.60



**Part No.:2517H-XXW-L**

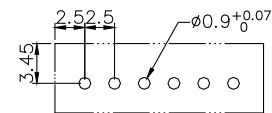
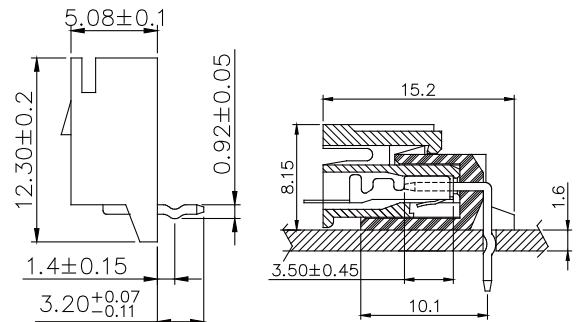
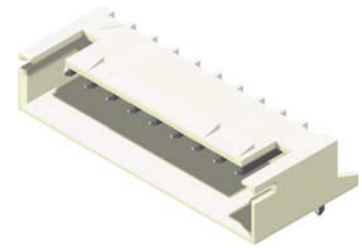
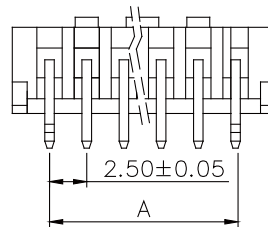
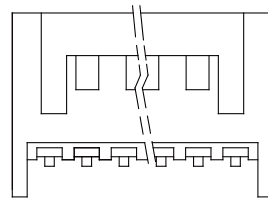
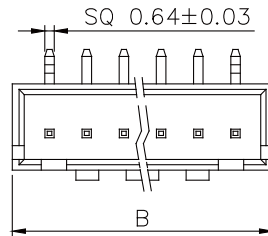


## 2.5mm Wafer Right Angle / Straight Type

### Specifications

Current Rating: 3A AC,DC  
 Voltage Rating: 250V AC,DC  
 Temperature Range: -25°C to +85°C  
 Contact Resistance: 20mΩ Max  
 Insulation Resistance: 500M Ω Min  
 Withstanding Voltage: 1500V AC/minute  
 Pin Material: Brass / Tin-Plated  
 Material: Nylon 66,UL94V-0

Part No.	Dim. A	Dim. B
2517R-02TW-L	2.50	7.50
2517R-03TW-L	5.00	10.00
2517R-04TW-L	7.50	12.50
2517R-05TW-L	10.00	15.00
2517R-06TW-L	12.50	17.50
2517R-07TW-L	15.00	20.00
2517R-08TW-L	17.50	22.50
2517R-09TW-L	20.00	25.00
2517R-10TW-L	22.50	27.50
2517R-11TW-L	25.00	30.00
2517R-12TW-L	27.50	32.50
2517R-13TW-L	30.00	35.00
2517R-14TW-L	32.50	37.50
2517R-15TW-L	35.00	40.00



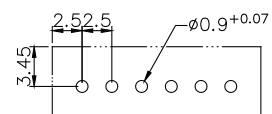
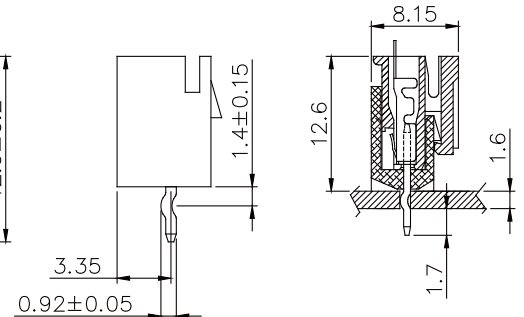
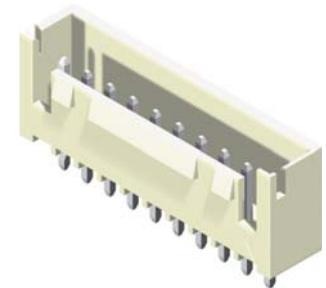
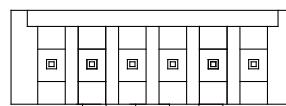
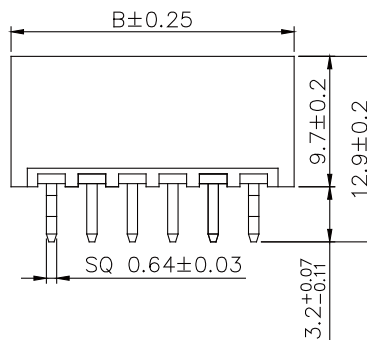
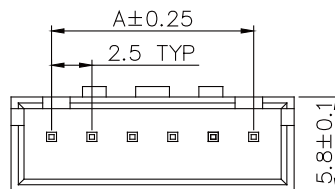
Applicable P.C.B Thickness: 1.6mm

**Part No.:2517R-XXTW-L**

### Specifications

Current Rating: 3A AC,DC  
 Voltage Rating: 250V AC,DC  
 Temperature Range: -25°C to +85°C  
 Contact Resistance: 30mΩ Max  
 Insulation Resistance: 500M Ω Min  
 Withstanding Voltage: 1500V AC/minute  
 Terminal: Brass / Tin-Plated  
 Material: Nylon 66,UL94V-0

Part No.	Dim. A	Dim. B
2517S-02TW-L	2.50	7.50
2517S-03TW-L	5.00	10.00
2517S-04TW-L	7.50	12.50
2517S-05TW-L	10.00	15.00
2517S-06TW-L	12.50	17.50
2517S-07TW-L	15.00	20.00
2517S-08TW-L	17.50	22.50
2517S-09TW-L	20.00	25.00
2517S-10TW-L	22.50	27.50
2517S-11TW-L	25.00	30.00
2517S-12TW-L	27.50	32.50
2517S-13TW-L	30.00	35.00
2517S-14TW-L	32.50	37.50
2517S-15TW-L	35.00	40.00



Applicable P.C.B Thickness: 1.6mm

**Part No.:2517S-XXTW-L**