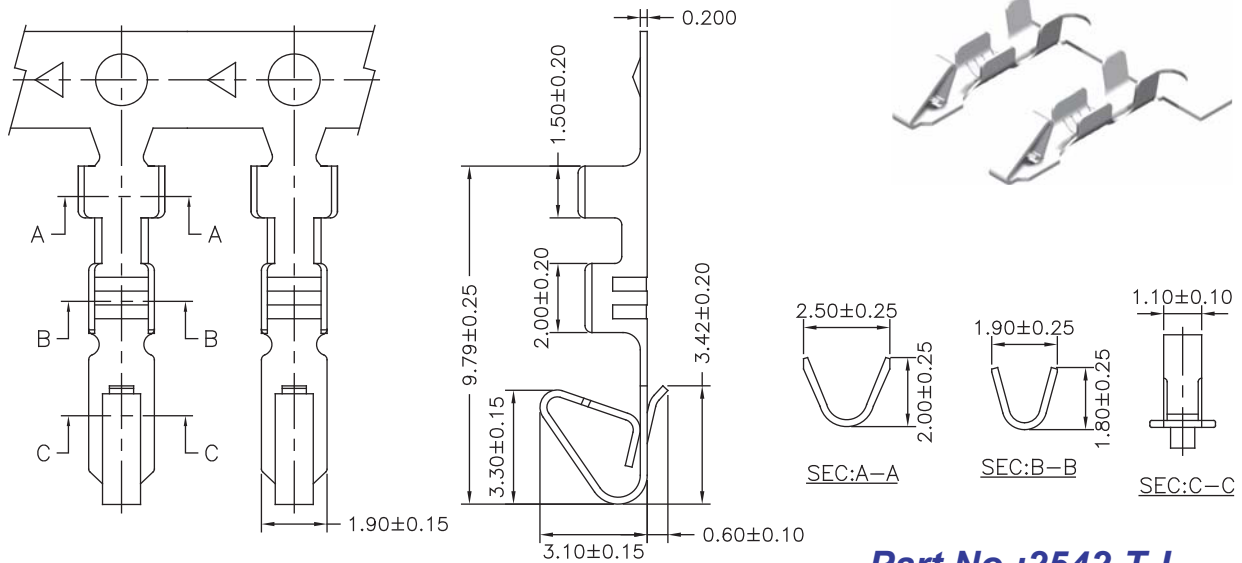




2.54mm Terminal / Housing

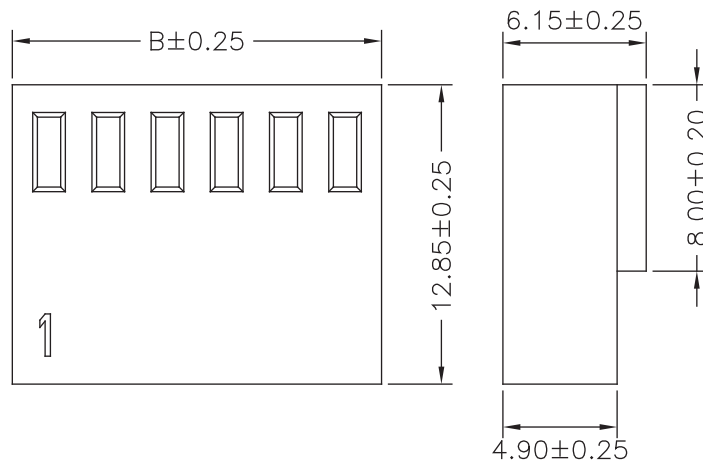
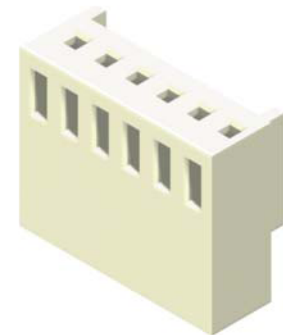
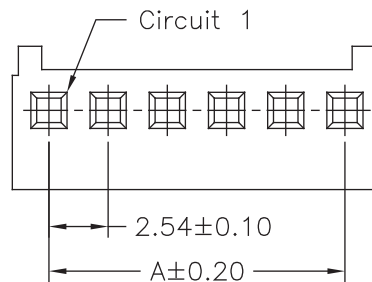


Part No.:2542-T-L

Part No.	Wire Range	Insulation O.D.	Material	Finish
2542-TTB-L	AWG#24-#30	1.57mm(max)	Brass	Tin Plated
2542-TGB-L	AWG#24-#30	1.57mm(max)	Brass	Gold Plated
2542-TTP-L	AWG#24-#30	1.57mm(max)	Phosphor Bronze	Tin Plated

Specifications

Current Rating: 4A AC,DC
 Voltage Rating: 250V AC,DC
 Temperature Range: -25°C to +85°C
 Contact Resistance: 10mΩ Max.
 Insulation Resistance: 1000MΩ Min.
 Withstanding Voltage: 1000V AC/minute
 Material: Nylon 66,UL94V-2



Part No.:2542H-XXW-L

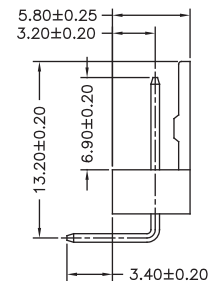
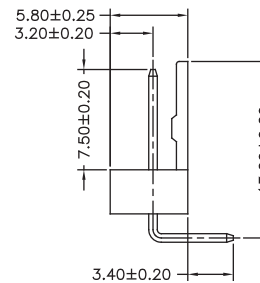
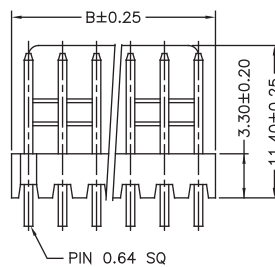
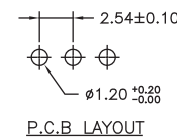
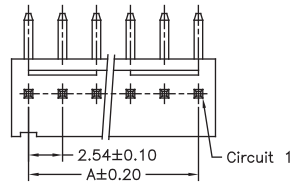


2.54mm Wafer Right Angle / Straight TYPE

Specifications

Current Rating: 4A AC,DC
 Voltage Rating: 250V AC,DC
 Temperature Range: -25°C to +85°C
 Contact Resistance: 10mΩ Max
 Insulation Resistance: 1000MΩ Min
 Withstanding Voltage: 1000V AC/minute
 Terminal: Brass / Tin Plated
 Material: Nylon 66,UL94V-2

No. of Contacts	Dimensions	
	A	B
02	2.54	5.08
03	5.08	7.62
04	7.62	10.16
05	10.16	12.70
06	12.70	15.24
07	15.24	17.78
08	17.78	20.32
09	20.32	22.86
10	22.86	25.40
11	25.40	27.94
12	27.94	30.48
13	30.48	33.02
14	33.02	35.56
15	35.56	38.10
16	38.10	40.64
17	40.64	43.18
18	43.18	45.72
19	45.72	48.26
20	48.26	50.80



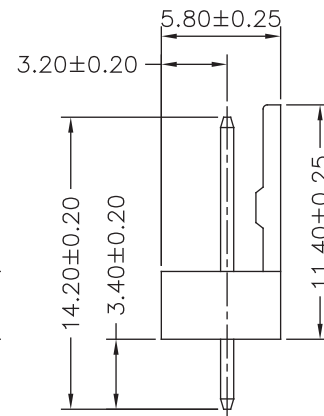
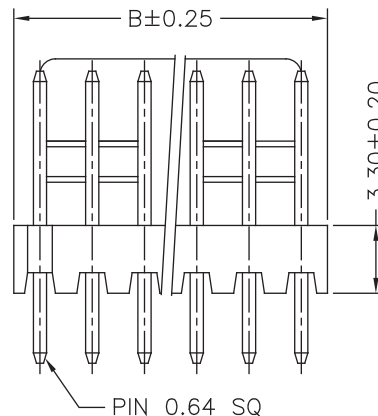
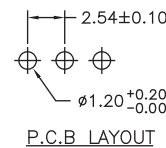
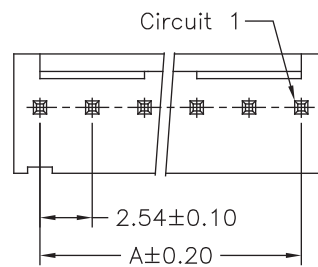
Part No.:2542 **-XXTW-L**

R:Right angle
RO:Opposite angle

Specifications

Current Rating: 4A AC,DC
 Voltage Rating: 250V AC,DC
 Temperature Range: -25°C to +85°C
 Contact Resistance: 10mΩ Max.
 Insulation Resistance: 1000MΩ Min.
 Withstanding Voltage: 1000V AC/minute
 Terminal: Brass / Tin Plated
 Material: Nylon 66,UL94V-2

Part No.	Dimensions	
	A	B
2542S-02TW-L	2.54	5.08
2542S-03TW-L	5.08	7.62
2542S-04TW-L	7.62	10.16
2542S-05TW-L	10.16	12.70
2542S-06TW-L	12.70	15.24
2542S-07TW-L	15.24	17.78
2542S-08TW-L	17.78	20.32
2542S-09TW-L	20.32	22.86
2542S-10TW-L	22.86	25.40
2542S-11TW-L	25.40	27.94
2542S-12TW-L	27.94	30.48
2542S-13TW-L	30.48	33.02
2542S-14TW-L	33.02	35.56
2542S-15TW-L	35.56	38.10
2542S-16TW-L	38.10	40.64
2542S-17TW-L	40.64	43.18
2542S-18TW-L	43.18	45.72
2542S-19TW-L	45.72	48.26
2542S-20TW-L	48.26	50.80



Part No.:2542S-XXTW-L