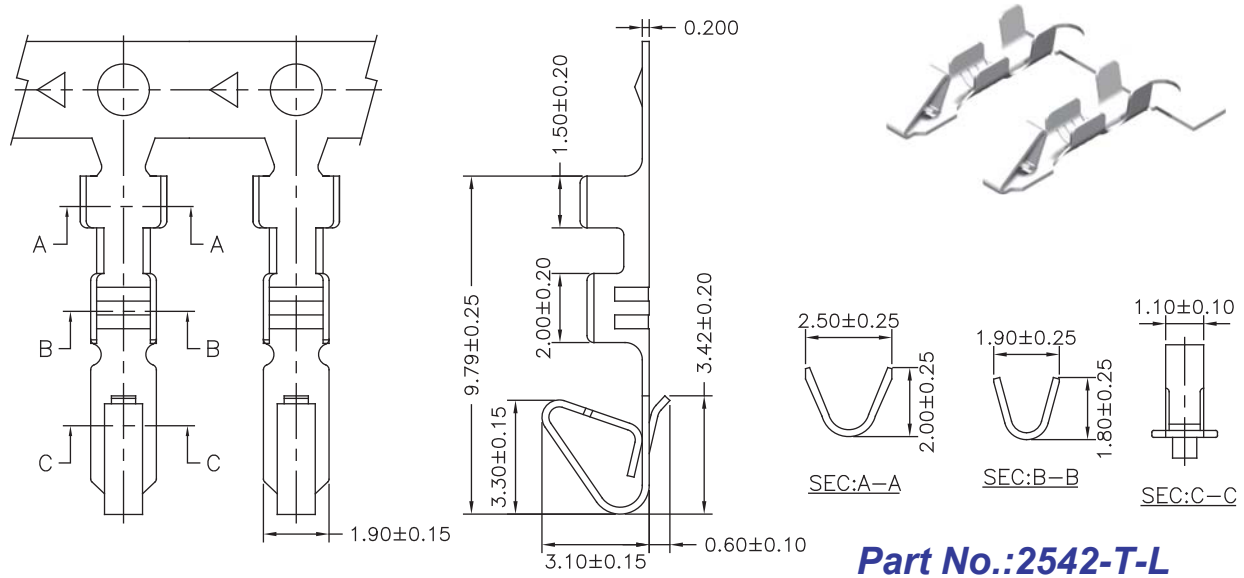




2.54mm Terminal / Housing



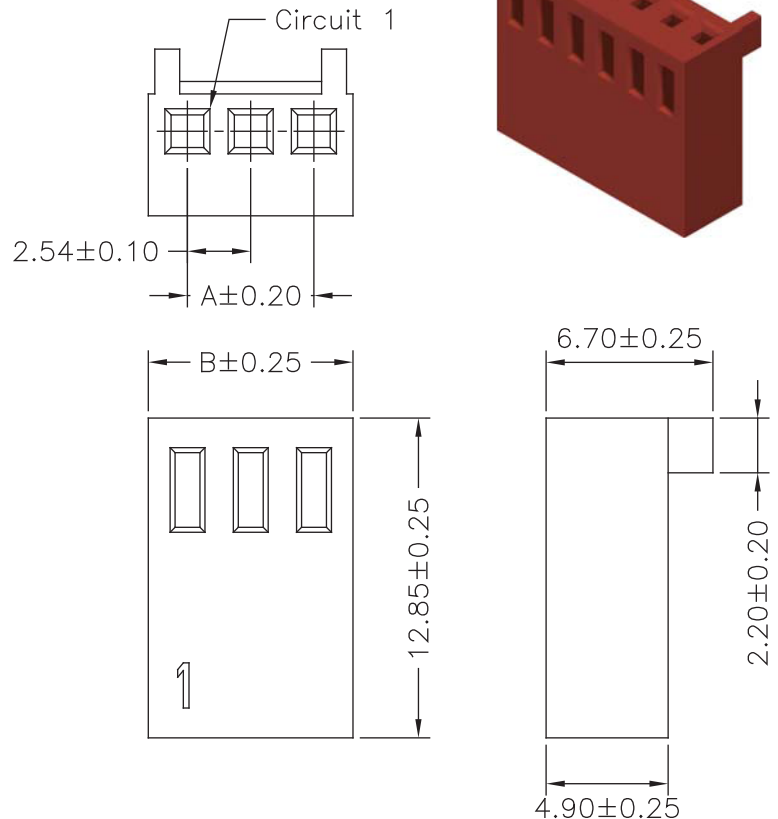
Part No.:2542-T-L

Part No	Wire Range	Insulation O.D.	Material	Finish
2542-TTB-L	AWG#24-#30	1.57mm(max)	Brass	Tin Plated
2542-TGB-L	AWG#24-#30	1.57mm(max)	Brass	Gold Plated
2542-TTP-L	AWG#24-#30	1.57mm(max)	Phosphor Bronze	Tin Plated

Specifications

Current Rating: 4A AC,DC
 Voltage Rating: 250V AC,DC
 Temperature Range: -25°C to +85°C
 Contact Resistance: 10mΩ Max.
 Insulation Resistance: 1000MΩ Min.
 Withstanding Voltage: 1000V AC/minute
 Material: Nylon 66,UL94V-2

Part No.	Dimensions	
	A	B
2544H-02R-L	2.54	5.68
2544H-03R-L	5.08	8.22
2544H-04R-L	7.62	10.76
2544H-05R-L	10.16	13.30
2544H-06R-L	12.70	15.84
2544H-07R-L	15.24	18.38
2544H-08R-L	17.78	20.92
2544H-09R-L	20.32	23.46
2544H-10R-L	22.86	26.00
2544H-11R-L	25.40	28.54
2544H-12R-L	27.94	31.08
2544H-13R-L	30.48	33.62
2544H-14R-L	33.02	36.16
2544H-15R-L	35.56	38.70
2544H-16R-L	38.10	41.24
2544H-17R-L	40.64	43.78
2544H-18R-L	43.18	46.32
2544H-19R-L	45.72	48.86
2544H-20R-L	48.26	51.40



Part No.:2544H-XXR-L

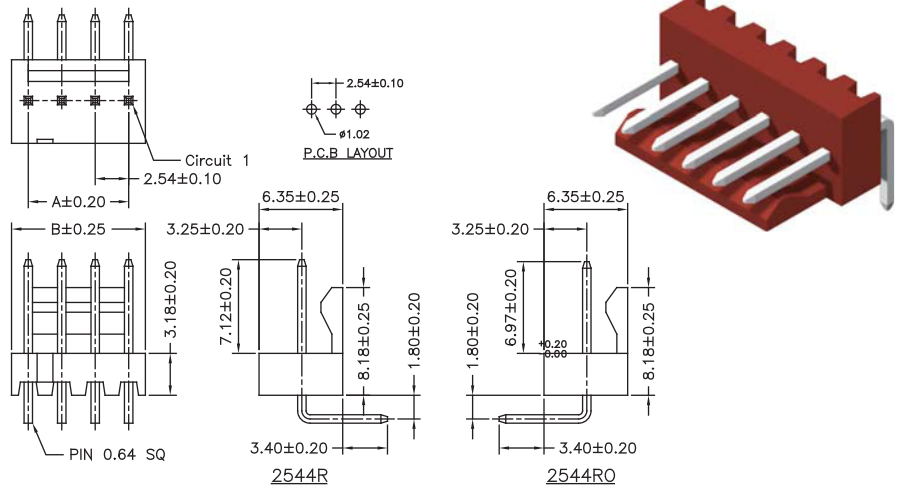


2.54mm Wafer Right Angle / Straight Type

Specifications

Current Rating: 4A AC,DC
 Voltage Rating: 250V AC,DC
 Temperature Range: -25°C to +85°C
 Contact Resistance: 10mΩ Max.
 Insulation Resistance: 1000MΩ Min.
 Withstanding Voltage: 1000V AC/minute
 Terminal: Brass / Tin Plated
 Material: Nylon 66,UL94V-2

No. of Contacts	Dimensions	
	A	B
02	2.54	5.08
03	5.08	7.62
04	7.62	10.16
05	10.16	12.70
06	12.70	15.24
07	15.24	17.78
08	17.78	20.32
09	20.32	22.86
10	22.86	25.40
11	25.40	27.94
12	27.94	30.48
13	30.48	33.02
14	33.02	35.56
15	35.56	38.10
16	38.10	40.64
17	40.64	43.18
18	43.18	45.72
19	45.72	48.26
20	48.26	50.80



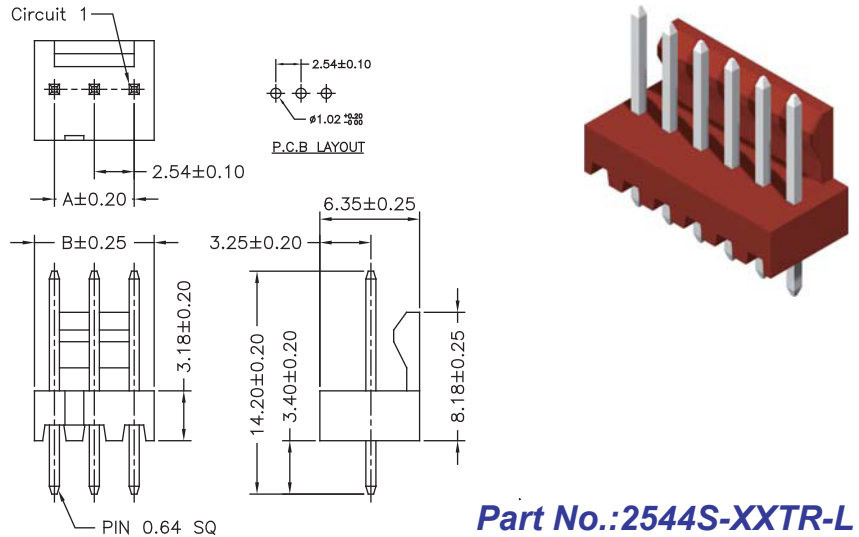
Part No.:2544-XXTR-L

R:Right angle
 RO:Opposite angle

Specifications

Current Rating: 4A AC,DC
 Voltage Rating: 250V AC,DC
 Temperature Range: -25°C to +85°C
 Contact Resistance: 10mΩ Max.
 Insulation Resistance: 1000MΩ Min.
 Withstanding Voltage: 1000V AC/minute
 Terminal: Brass / Tin Plated
 Material: Nylon 66,UL94V-2

Part No.	Dimensions	
	A	B
2544S-02TR-L	2.54	5.08
2544S-03TR-L	5.08	7.62
2544S-04TR-L	7.62	10.16
2544S-05TR-L	10.16	12.70
2544S-06TR-L	12.70	15.24
2544S-07TR-L	15.24	17.78
2544S-08TR-L	17.78	20.32
2544S-09TR-L	20.32	22.86
2544S-10TR-L	22.86	25.40
2544S-11TR-L	25.40	27.94
2544S-12TR-L	27.94	30.48
2544S-13TR-L	30.48	33.02
2544S-14TR-L	33.02	35.56
2544S-15TR-L	35.56	38.10
2544S-16TR-L	38.10	40.64
2544S-17TR-L	40.64	43.18
2544S-18TR-L	43.18	45.72
2544S-19TR-L	45.72	48.26
2544S-20TR-L	48.26	50.80

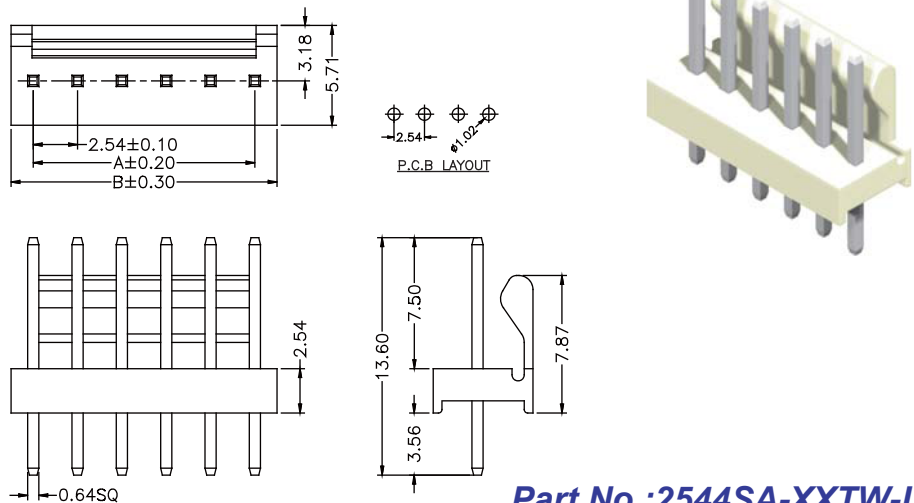


Part No.:2544S-XXTR-L

Specifications

Current Rating: 4A AC,DC
 Voltage Rating: 250V AC,DC
 Temperature Range: -25°C to +85°C
 Contact Resistance: 10mΩ Max.
 Insulation Resistance: 1000MΩ Min.
 Withstanding Voltage: 1000V AC/minute
 Terminal: Brass / Tin Plated
 Material: Nylon 66,UL94V-2

Part No.	Dimensions	
	A	B
2544SA-02TW-L	2.54	5.08
2544SA-03TW-L	5.08	7.62
2544SA-04TW-L	7.62	10.16
2544SA-05TW-L	10.16	12.70
2544SA-06TW-L	12.70	15.24
2544SA-07TW-L	15.24	17.78
2544SA-08TW-L	17.78	20.32
2544SA-09TW-L	20.32	22.86
2544SA-10TW-L	22.86	25.40
2544SA-11TW-L	25.40	27.94
2544SA-12TW-L	27.94	30.48
2544SA-13TW-L	30.48	33.02
2544SA-14TW-L	33.02	35.56
2544SA-15TW-L	35.56	38.10
2544SA-16TW-L	38.10	40.64
2544SA-17TW-L	40.64	43.18
2544SA-18TW-L	43.18	45.20
2544SA-19TW-L	45.72	48.26
2544SA-20TW-L	48.26	50.80



Part No.:2544SA-XXTW-L