

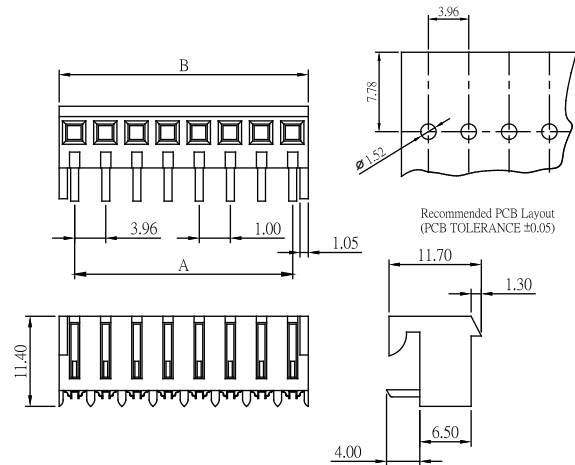
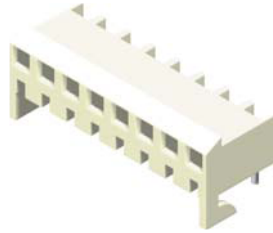


3.96mm Wafer DIP Type

Specifications

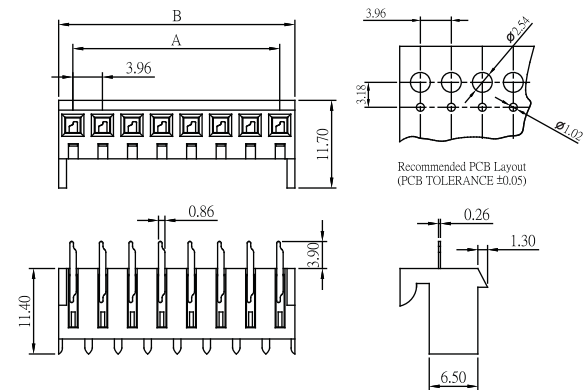
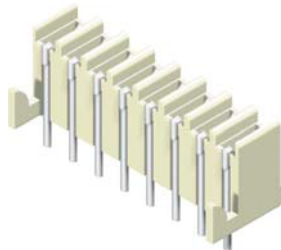
Current Rating: 7A AC,DC
 Voltage Rating: 250V AC,DC
 Temperature Range: -40°C to +105°C
 Contact Resistance: 10mΩ Max
 Insulation Resistance: 1000MΩ Min
 Withstanding Voltage: 1500V AC/minute
 Material: Nylon 66,UL94V-2

A Type

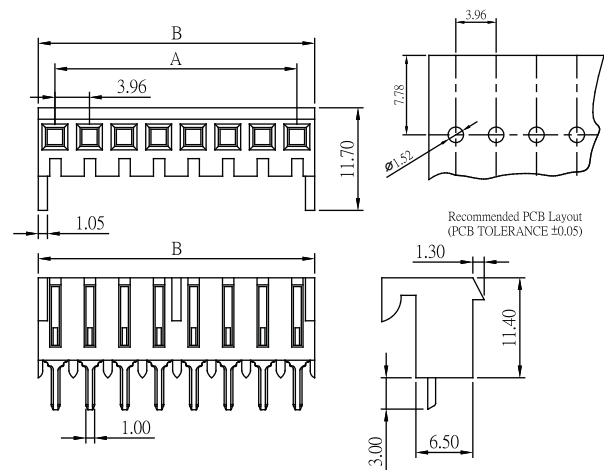
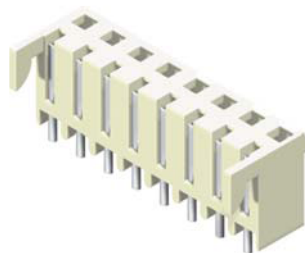


No. of Contacts	Dimensions	
	A	B
02	3.96	7.82
03	7.92	11.78
04	11.88	15.74
05	15.84	19.70
06	19.80	23.66
07	23.76	27.62
08	27.72	31.58
09	31.68	35.54
10	35.64	39.50
11	39.60	43.46
12	43.56	47.42
13	47.52	51.38
14	51.48	55.34
15	55.44	59.30
16	59.40	63.26
17	63.36	67.22
18	67.32	71.18
19	71.28	75.14
20	75.24	79.10
21	79.20	83.06
22	83.16	87.02
23	87.12	90.98
24	91.08	94.94
25	95.04	98.90

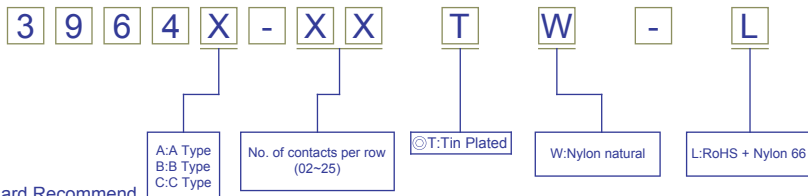
B Type



C Type



ORDER INFORMATION



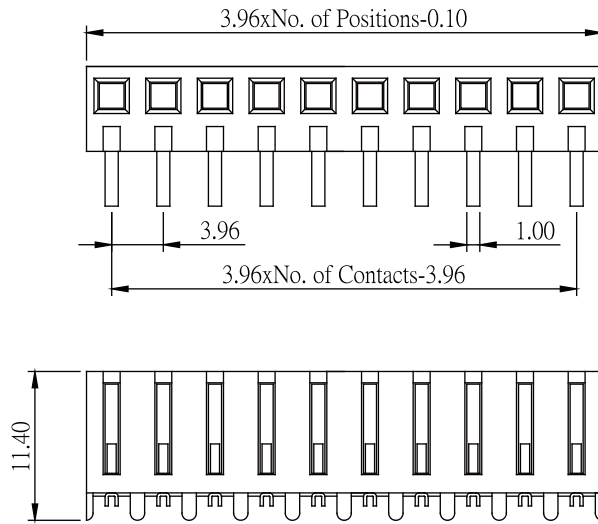
©: Standard Recommend



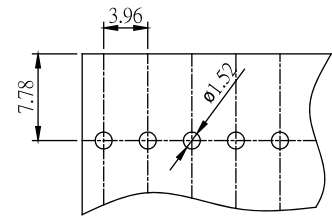
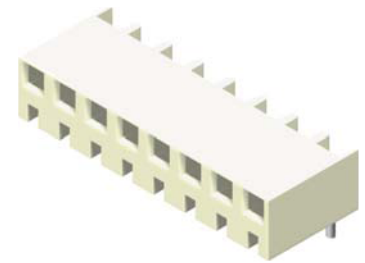
3.96mm Wafer DIP Type

Specifications

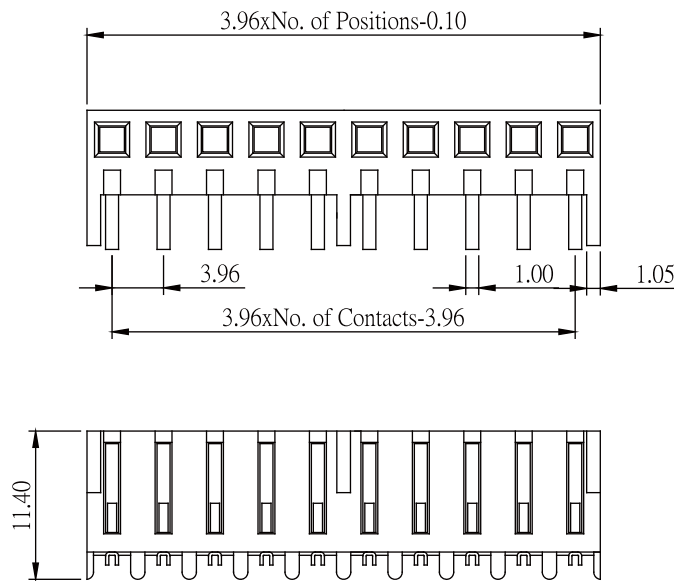
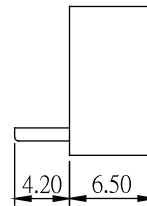
- Current Rating: 7A AC,DC
- Voltage Rating: 250V AC,DC
- Temperature Range: -25°C to +85°C
- Contact Resistance: 10mΩ Max
- Insulation Resistance: 1000MΩ Min
- Withstanding Voltage: 1500V AC/minute
- Material: Nylon 66,UL94V-2



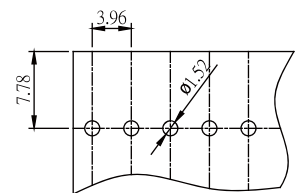
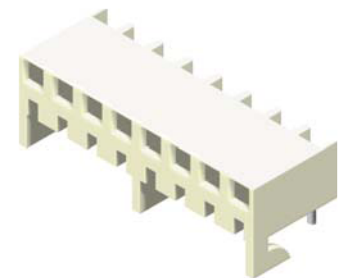
D Type



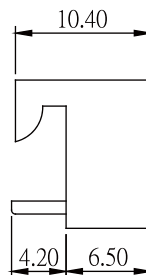
Recommended P.C.B Layout (Top Side)
 (PCB BOARD TOLERANCE±0.05)



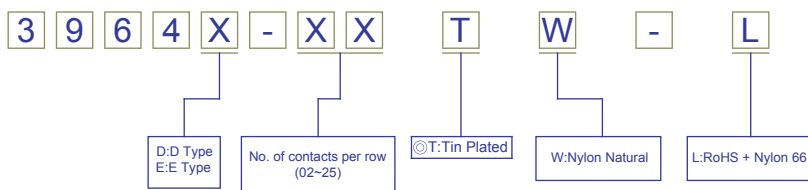
E Type



Recommended P.C.B Layout (Top Side)
 (PCB BOARD TOLERANCE±0.05)



ORDER INFORMATION



©:Standard Recommend