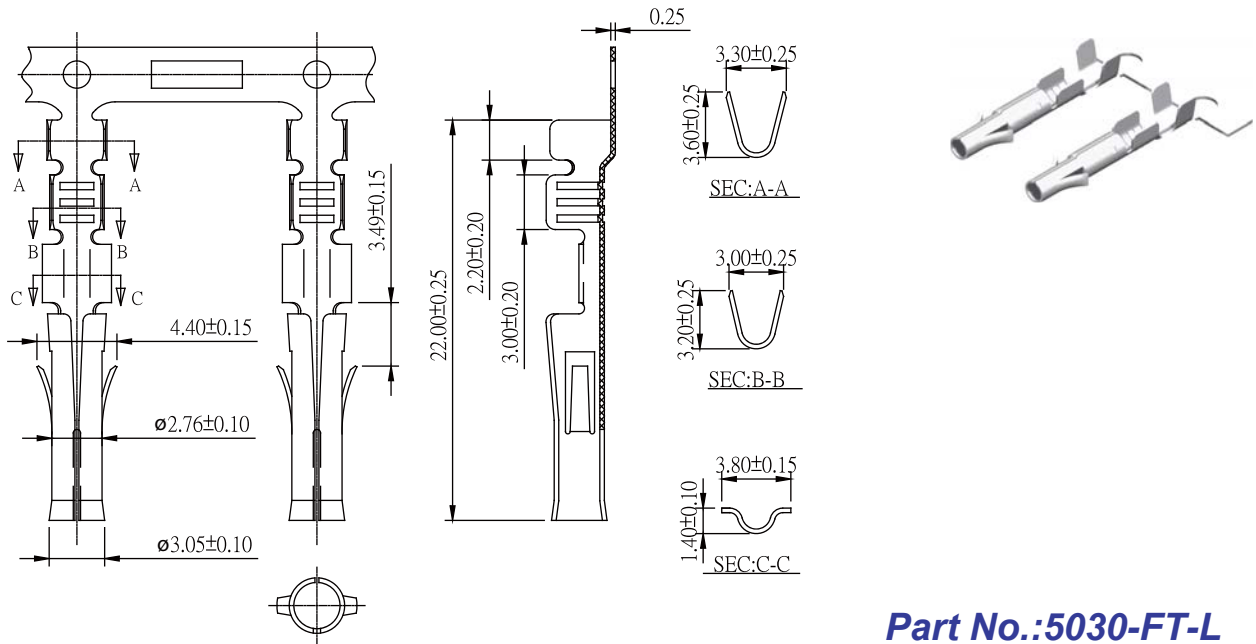




5.03mm Female Terminal / Male Housing

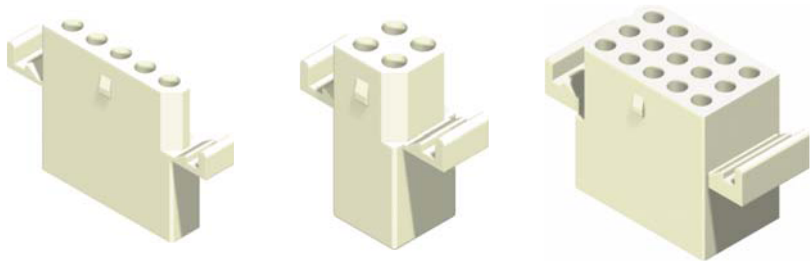


Part No.:5030-FT-L

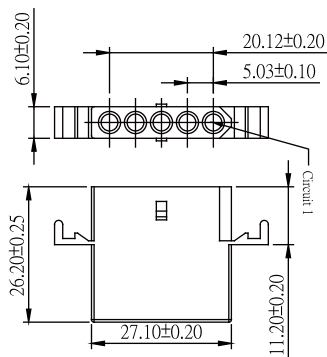
Wire Range	Insulation O.D.	Material	Finish
AWG#18-#24	3.10mm(max)	Brass	Tin Plated

Specifications

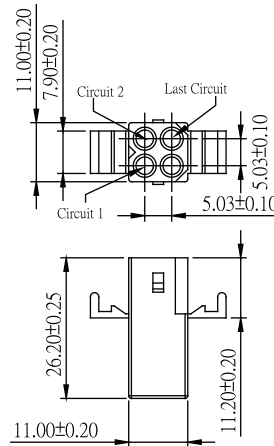
Current Rating: 12A AC,DC
 Voltage Rating: 250V AC,DC
 Temperature Range: -25°C to +85°C
 Contact Resistance: 10mΩ Max
 Insulation Resistance: 1000MΩ Min
 Withstanding Voltage: 1500V AC/minute
 Material: Nylon 66,UL94V-2



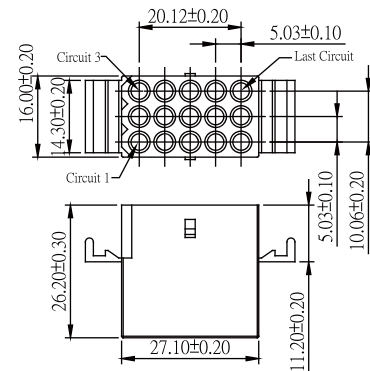
Part No.	No. of Contacts
5030H-M101W-L	1x1
5030H-M102W-L	1x2
5030H-M103W-L	1x3
5030H-M104W-L	1x4
5030H-M105W-L	1x5
5030H-M202W-L	2x2
5030H-M302W-L	3x2
5030H-M303W-L	3x3
5030H-M304W-L	3x4
5030H-M305W-L	3x5



5030H-M105W1-L
5030H-M105W2-L



5030H-M202W1-L
5030H-M202W2-L



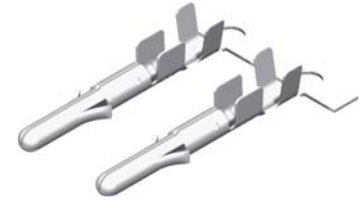
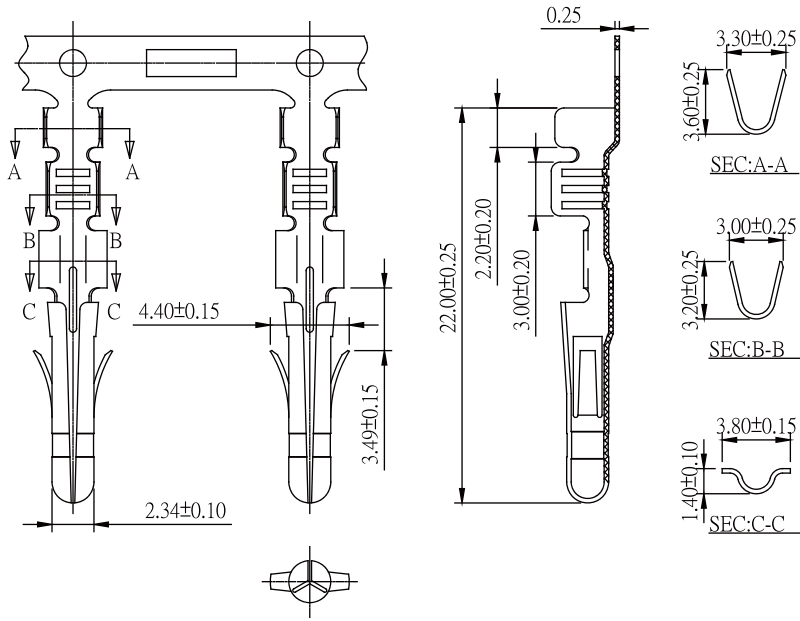
5030H-M305W1-L
5030H-M305W2-L

Part No.:5030H-MXXXW-L

1:With Ear
 2:W/O Ear



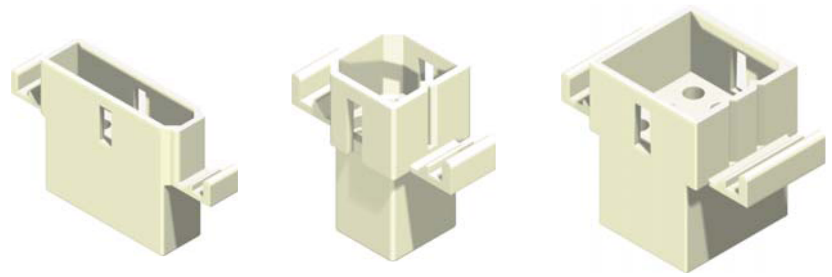
5.03mm Male Terminal / Femle Housing



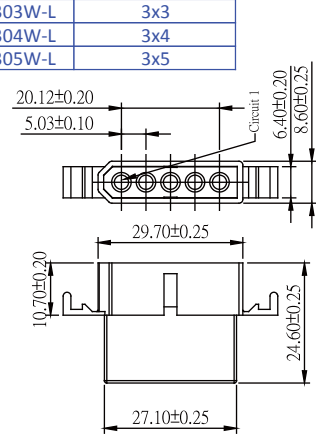
Part No.:5030-MT-L

Wire Range	Insulation O.D.	Material	Finish
AWG#18-#24	3.10mm(max)	Brass	Tin Plated

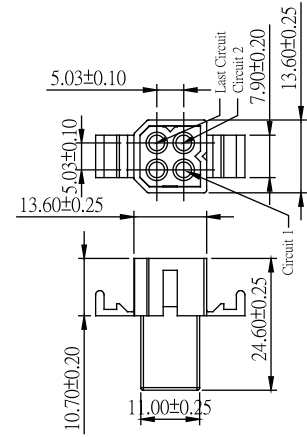
Specifications
 Current Rating: 12A AC,DC
 Voltage Rating: 250V AC,DC
 Temperature Range: -25°C to +85°C
 Contact Resistance: 10mΩ Max
 Insulation Resistance: 1000MΩ Min
 Withstanding Voltage: 1500V AC/minute
 Material: Nylon 66,UL94V-2



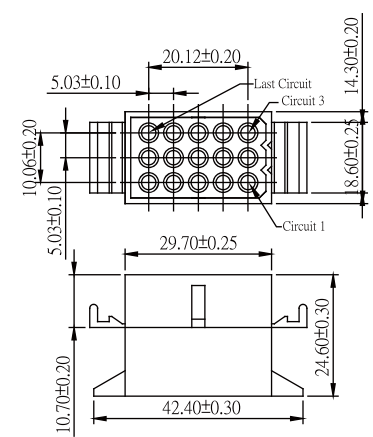
Part No.	No. of Contacts
5030H-F101W-L	1x1
5030H-F102W-L	1x2
5030H-F103W-L	1x3
5030H-F104W-L	1x4
5030H-F105W-L	1x5
5030H-F202W-L	2x2
5030H-F302W-L	3x2
5030H-F303W-L	3x3
5030H-F304W-L	3x4
5030H-F305W-L	3x5



5030H-F105W1-L
5030H-F105W2-L



5030H-F202W1-L
5030H-F202W2-L



5030H-F305W1-L
5030H-F305W2-L

Part No.:5030H-FXXXW□-L

1:With Ear
2:W/O Ear