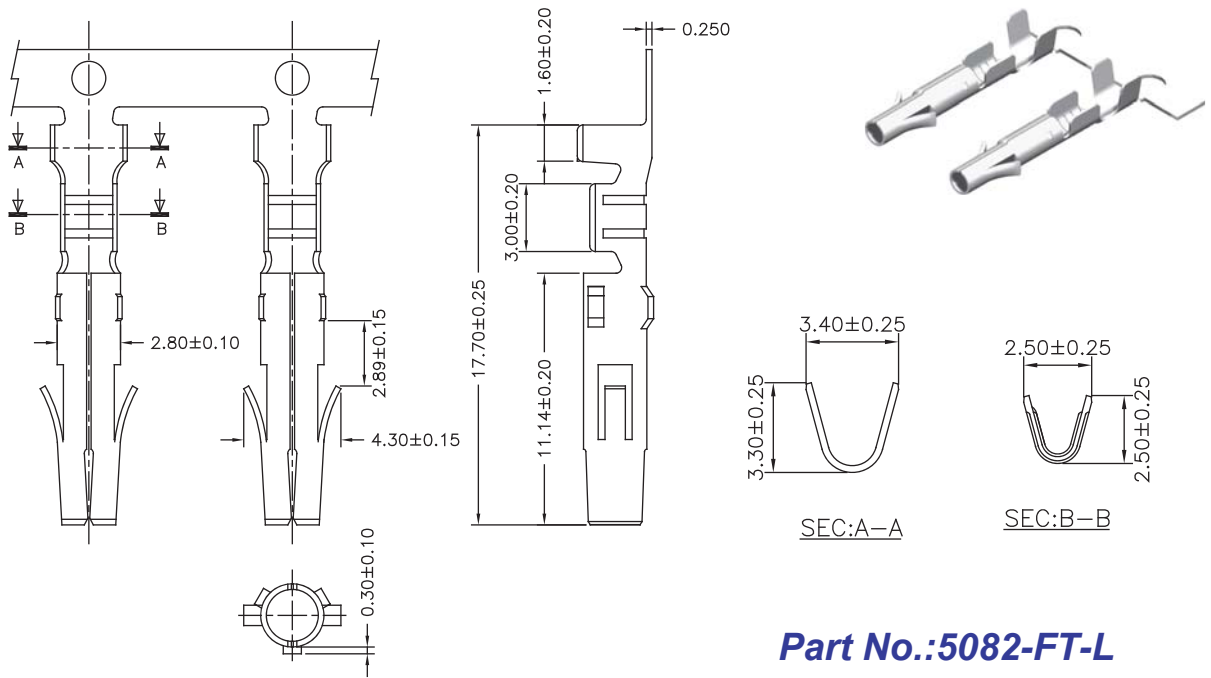




5.08mm Female Terminal / Female Housing

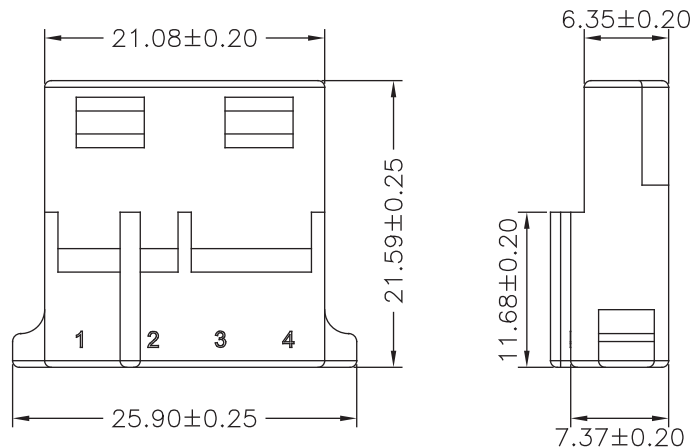
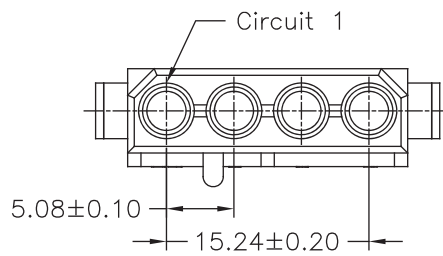


Part No.:5082-FT-L

Wire Range	Insulation O.D.	Material	Finish
AWG#14-#20	3.30mm(max)	Brass	Ti Plated

Specifications

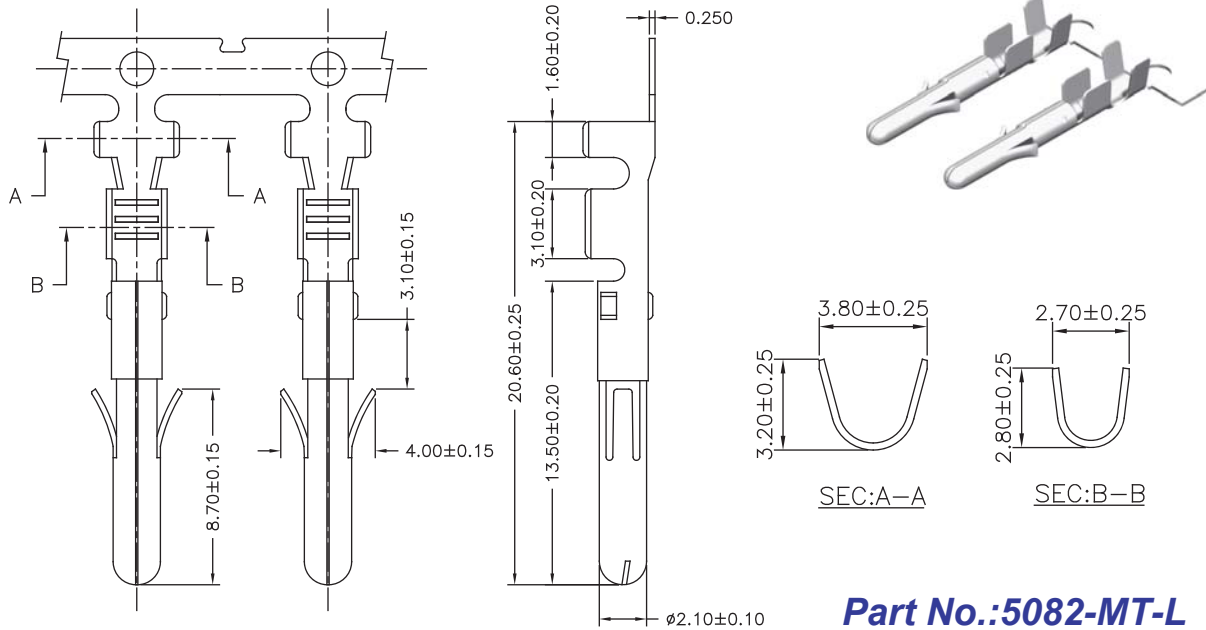
- Current Rating: 10A AC,DC
- Voltage Rating: 250V AC,DC
- Temperature Range: -25°C to +85°C
- Contact Resistance: 10mΩ Max
- Insulation Resistance: 1000MΩ Min
- Withstanding Voltage: 1500V AC/minute
- Material: Nylon 66,UL94V-2



Part No.:5082H-F04W-L



5.08mm Male Terminal / Male Housing

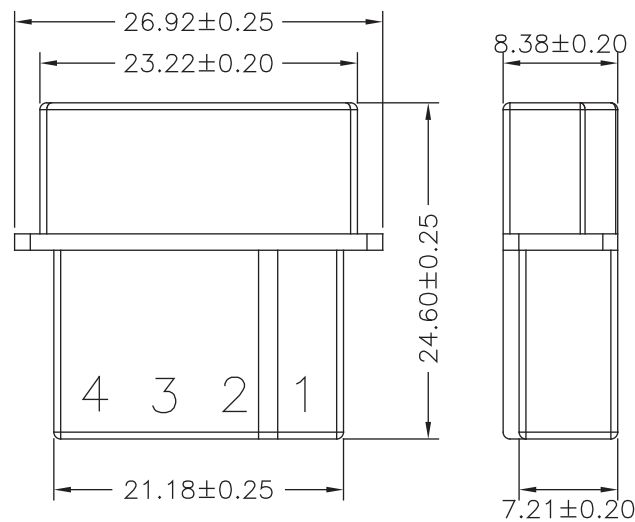
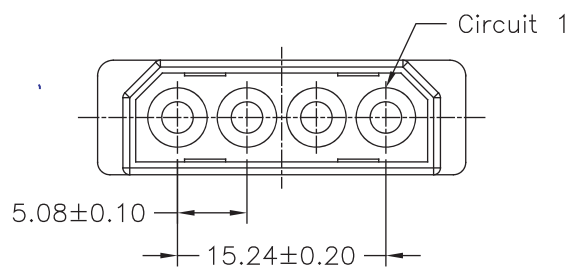


Part No.:5082-MT-L

Wire Range	Insulation O.D.	Material	Finish
AWG#18-#24	2.50mm(max)	Brass	Tin Plated

Specifications

Current Rating: 10A AC,DC
 Voltage Rating: 250V AC,DC
 Temperature Range: -25°C to +85°C
 Contact Resistance: 10mΩ Max
 Insulation Resistance: 1000MΩ Min
 Withstanding Voltage: 1500V AC/minute
 Material: Nylon 66,UL94V-2



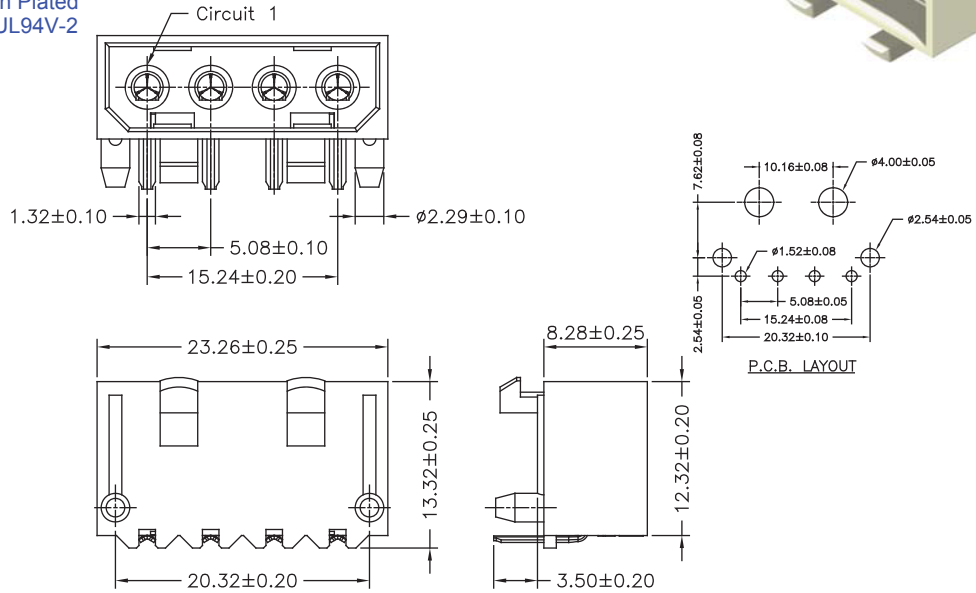
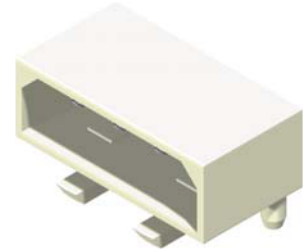
Part No.:5082H-M04W-L



5.08mm Wafer Right Angle / Straight Type

Specifications

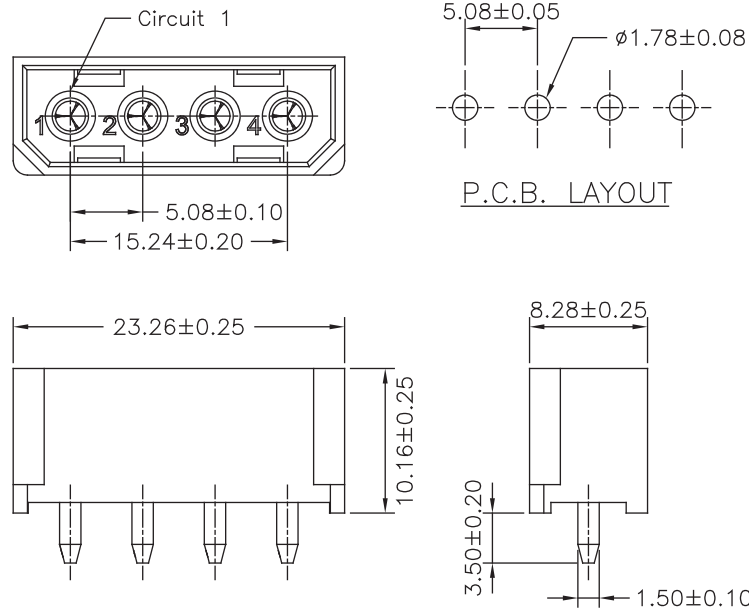
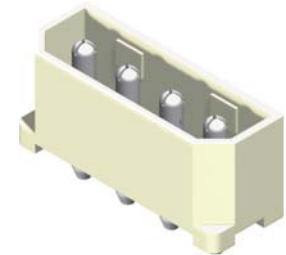
Current Rating: 10A AC,DC
 Voltage Rating: 250V AC,DC
 Temperature Range: -25°C to +85°C
 Contact Resistance: 10mΩ Max
 Insulation Resistance: 1000MΩ Min
 Withstanding Voltage: 1500V AC/minute
 Terminal: Brass / Tin Plated
 Material: Nylon 66,UL94V-2



Part No.:5082R-04TW-L

Specifications

Current Rating: 10A AC,DC
 Voltage Rating: 250V AC,DC
 Temperature Range: -25°C to +85°C
 Contact Resistance: 10mΩ Max
 Insulation Resistance: 1000MΩ Min
 Withstanding Voltage: 1500V AC/minute
 Terminal: Brass / Tin Plated
 Material: Nylon 66,UL94V-2



Part No.:5082S-04TW-L